

FIGURE 1

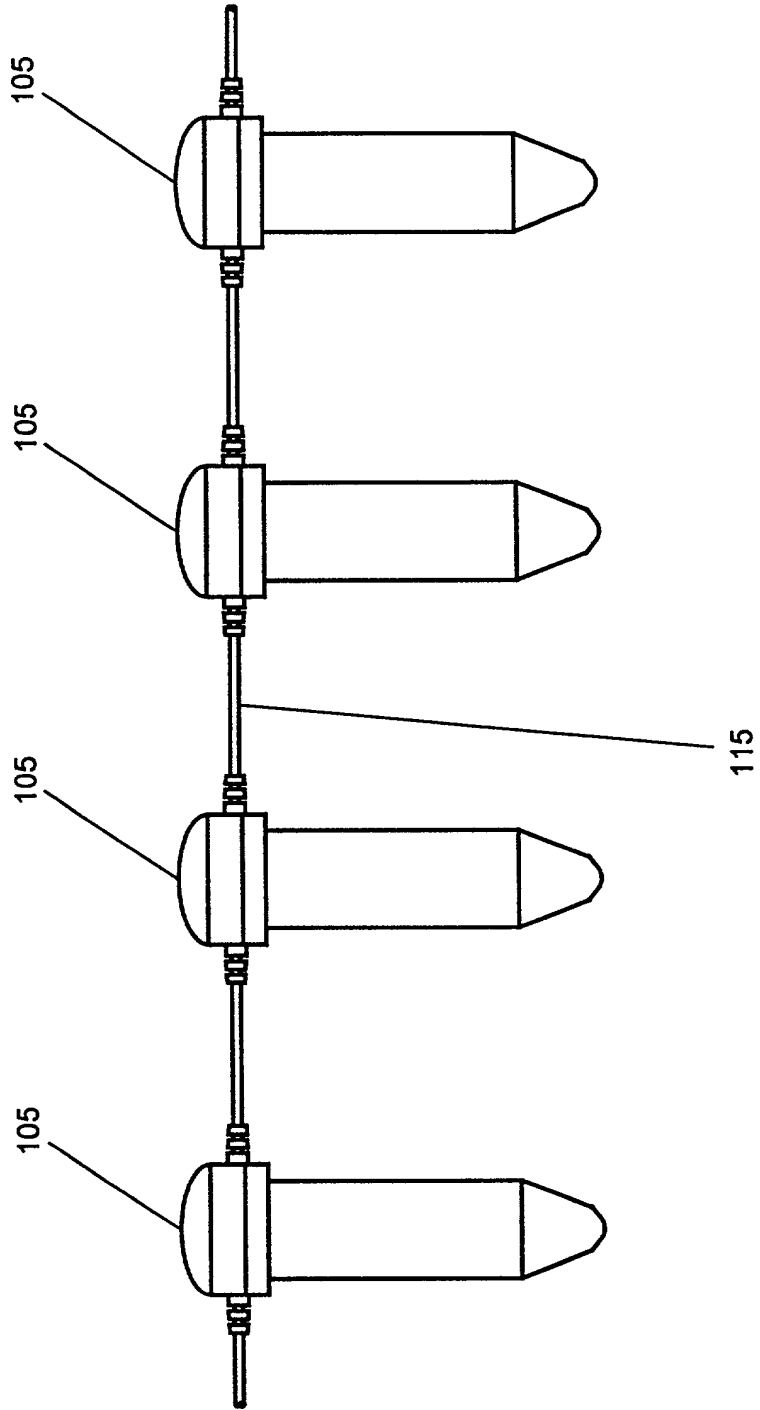


FIGURE 2

FIG. 2

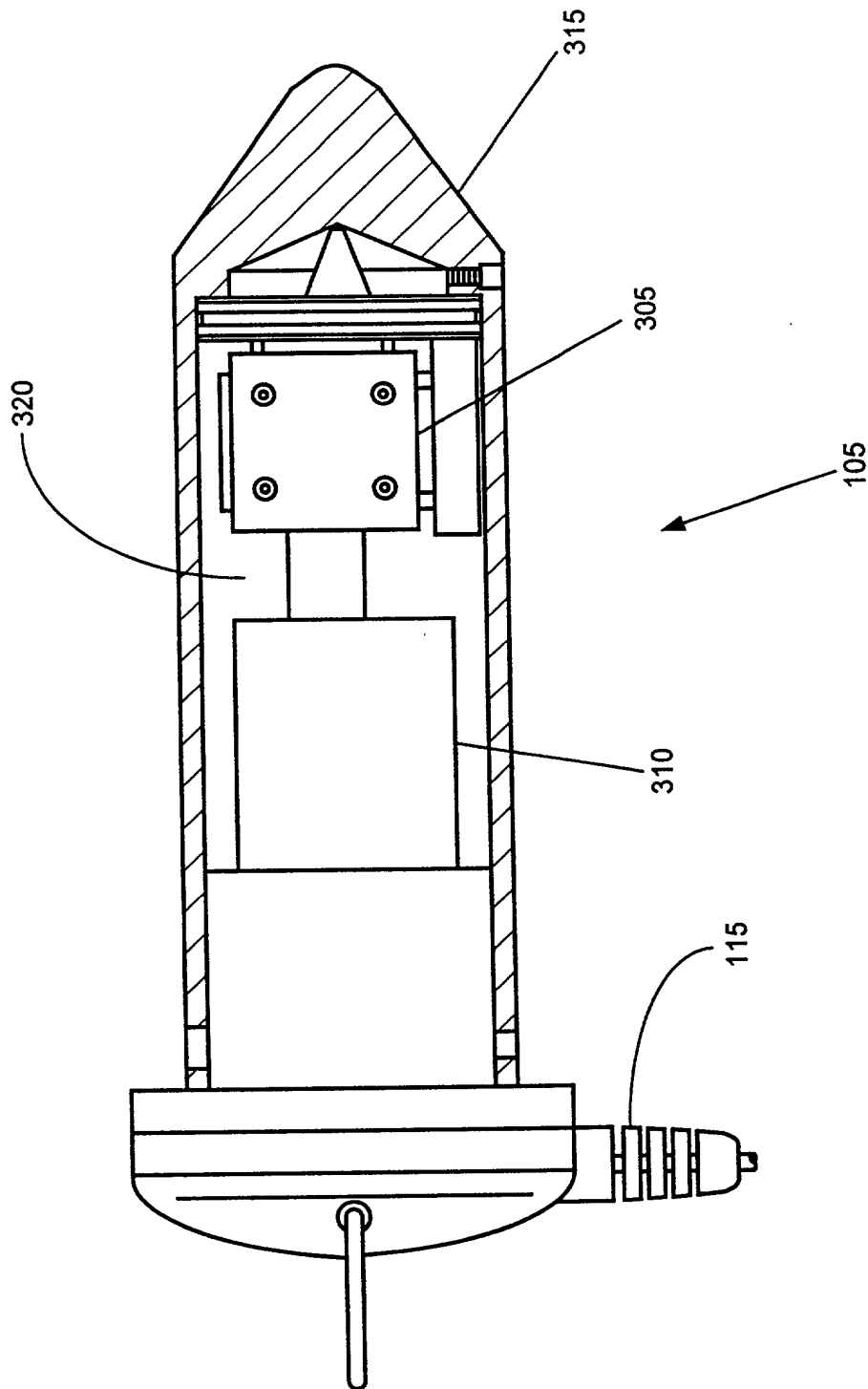


FIGURE 3a

FIG. 3a

105

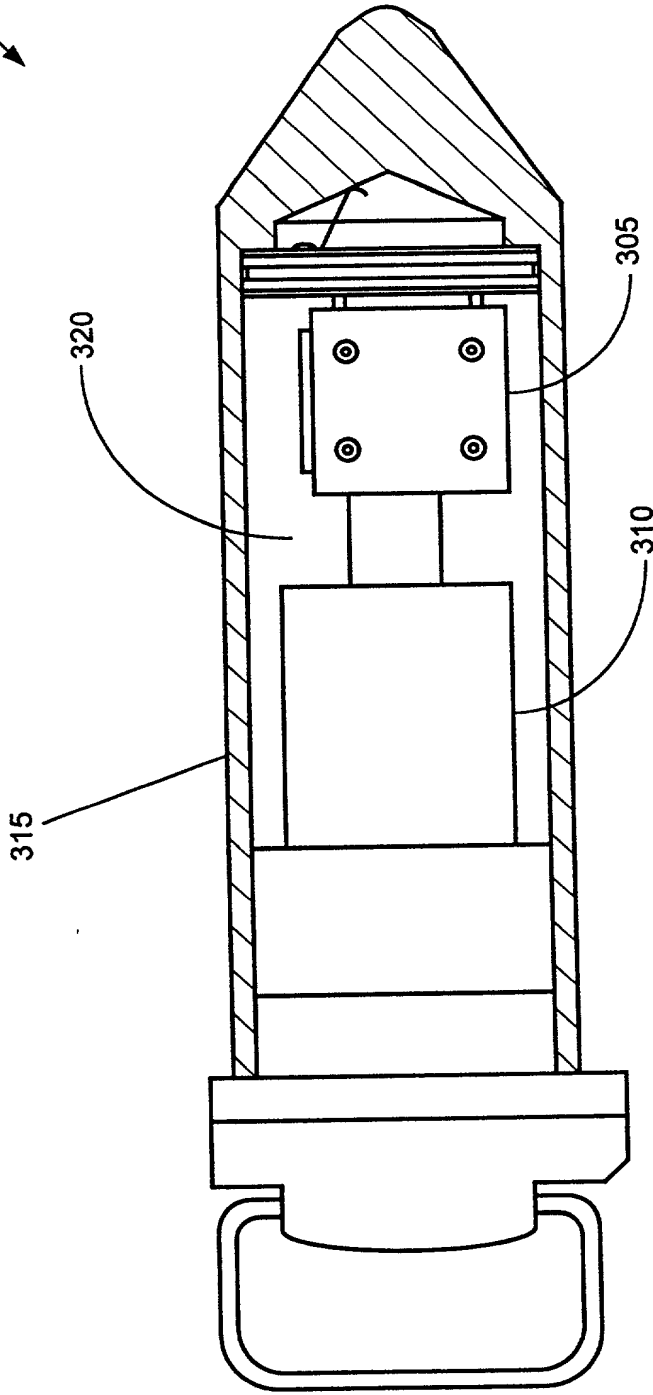


FIGURE 3b

FIG. 3b

FIG. 4

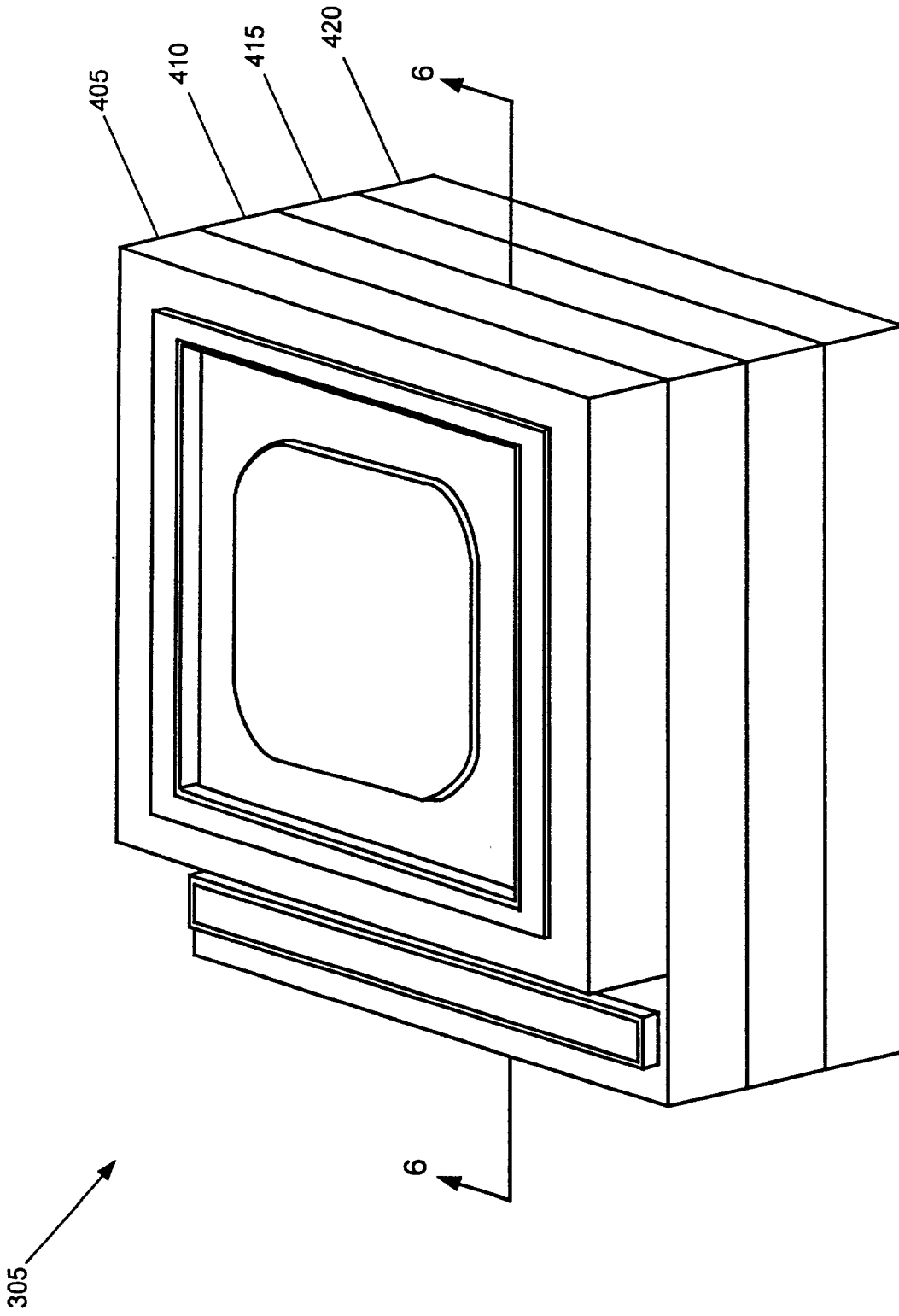


FIGURE 4

FIG. 5

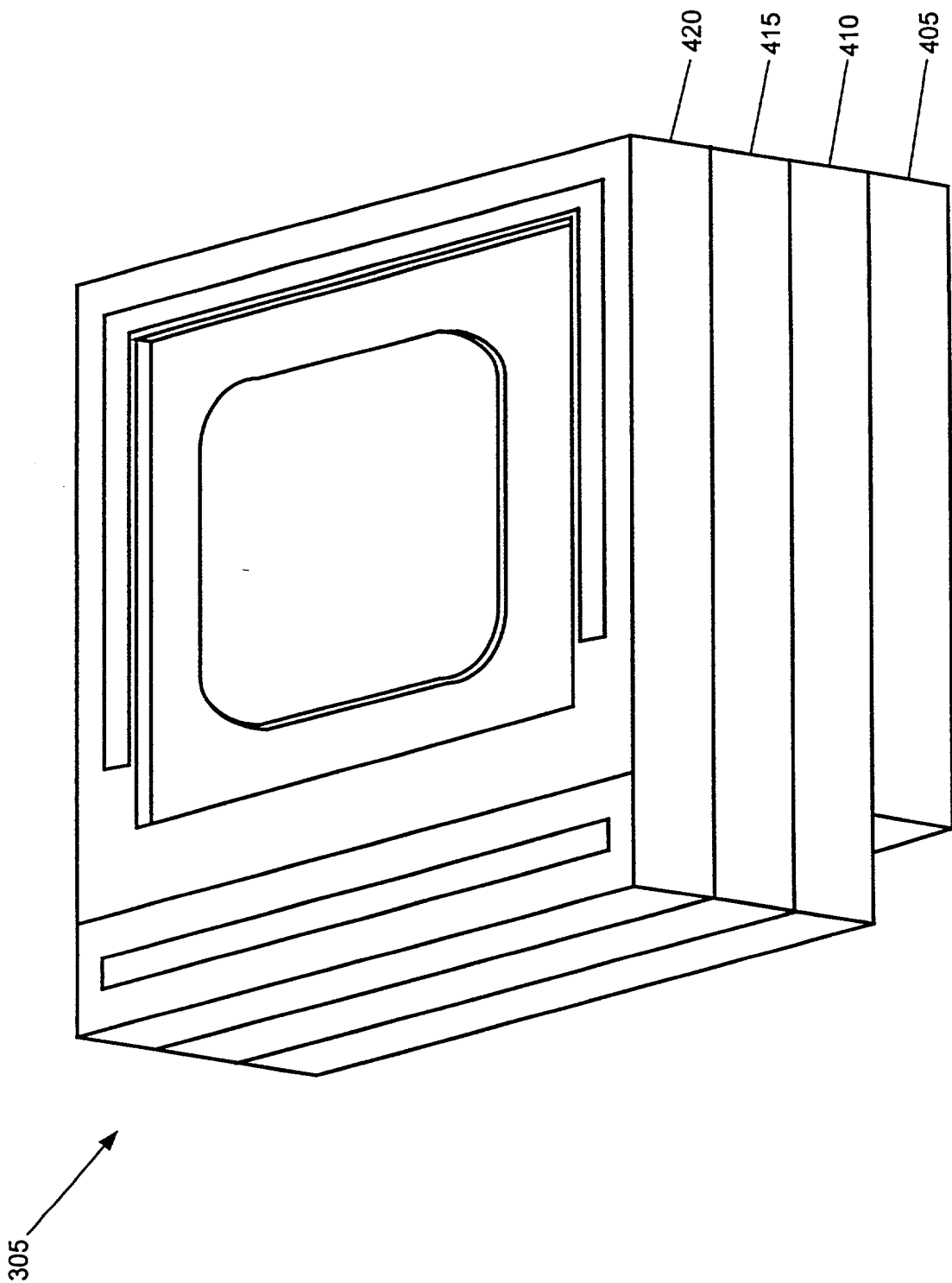


FIGURE 5

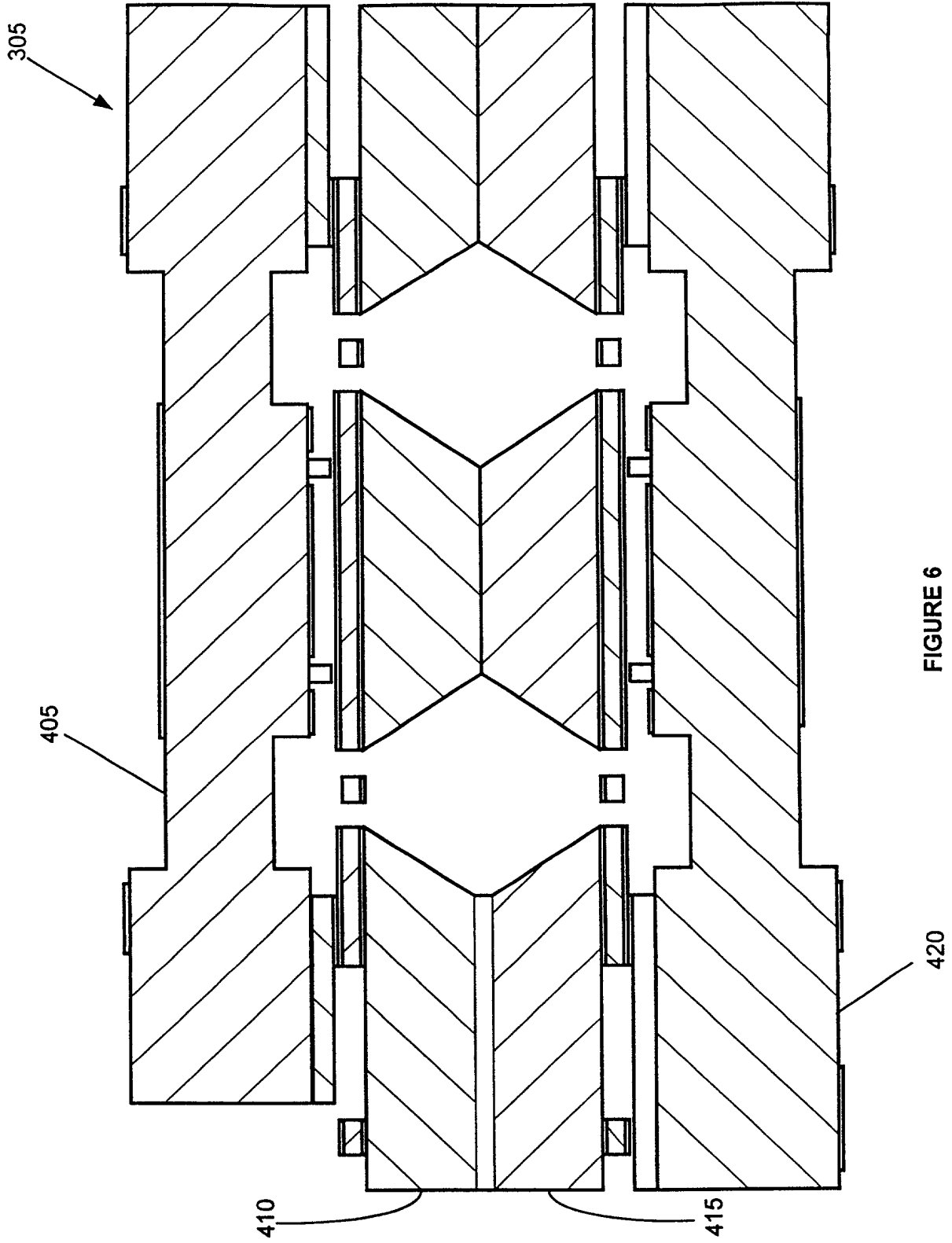


FIGURE 6

FIG. 50

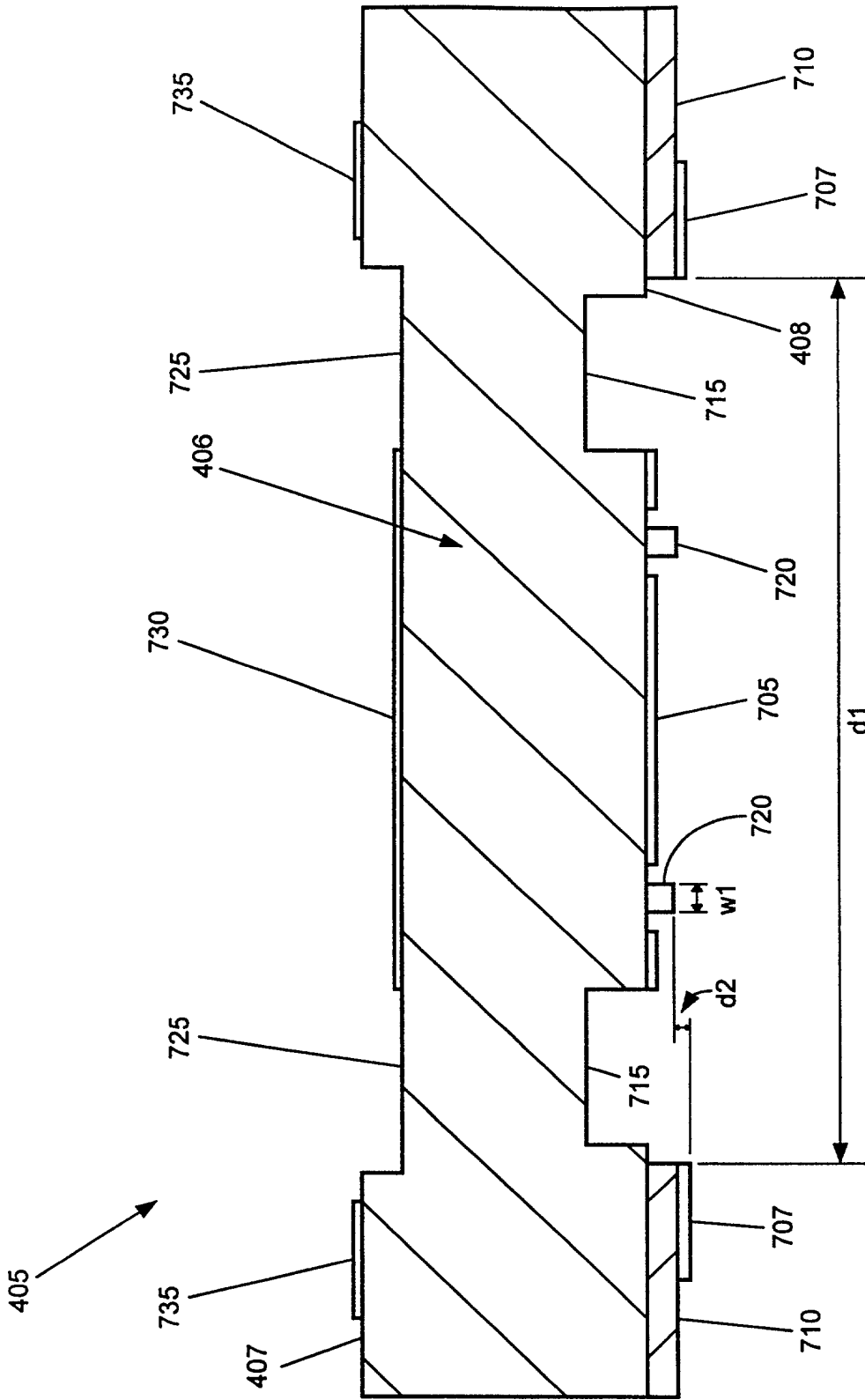


FIGURE 7a



FIG. 7a

40

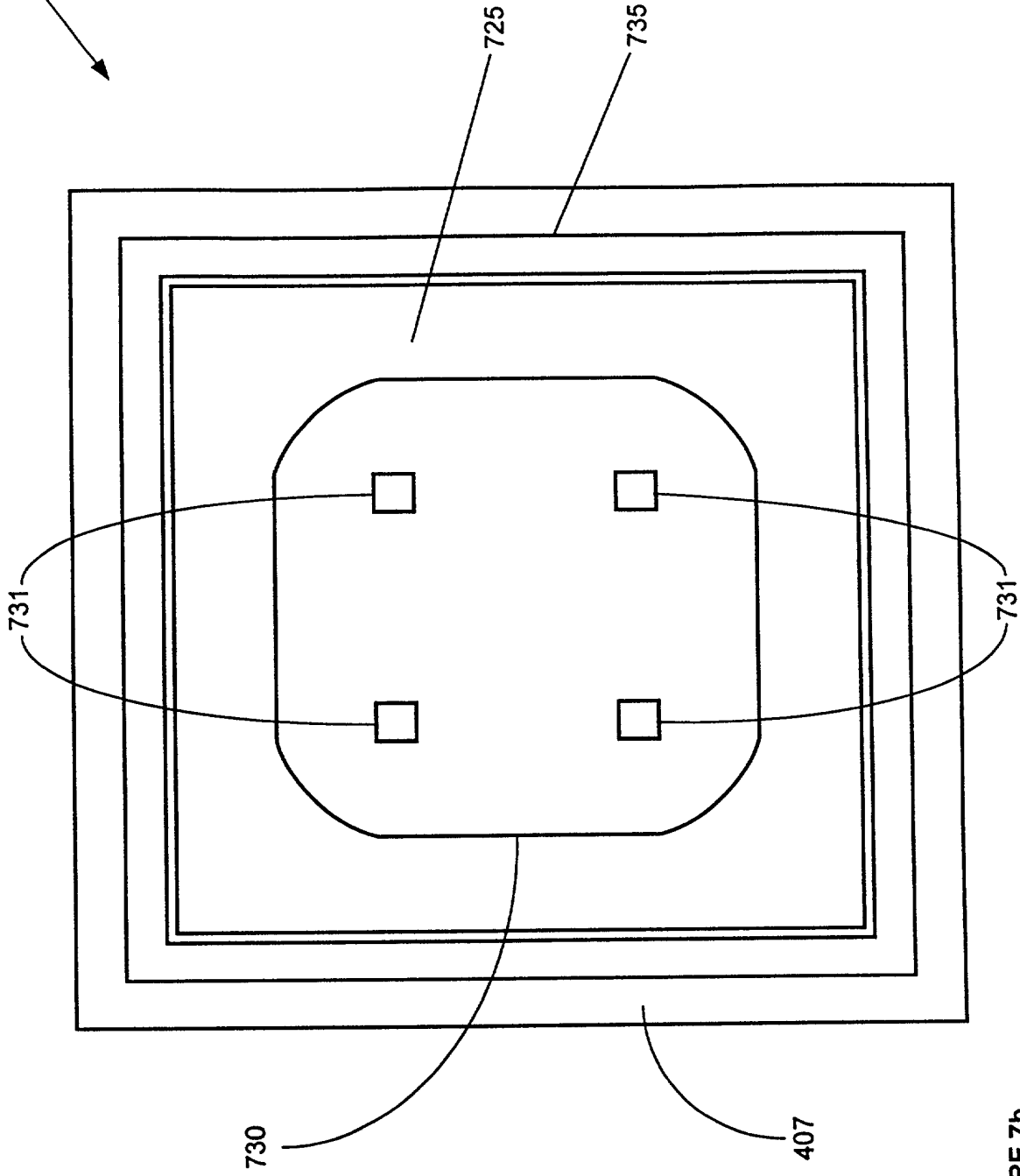


FIGURE 7b

FIG. 50 SEE 2360

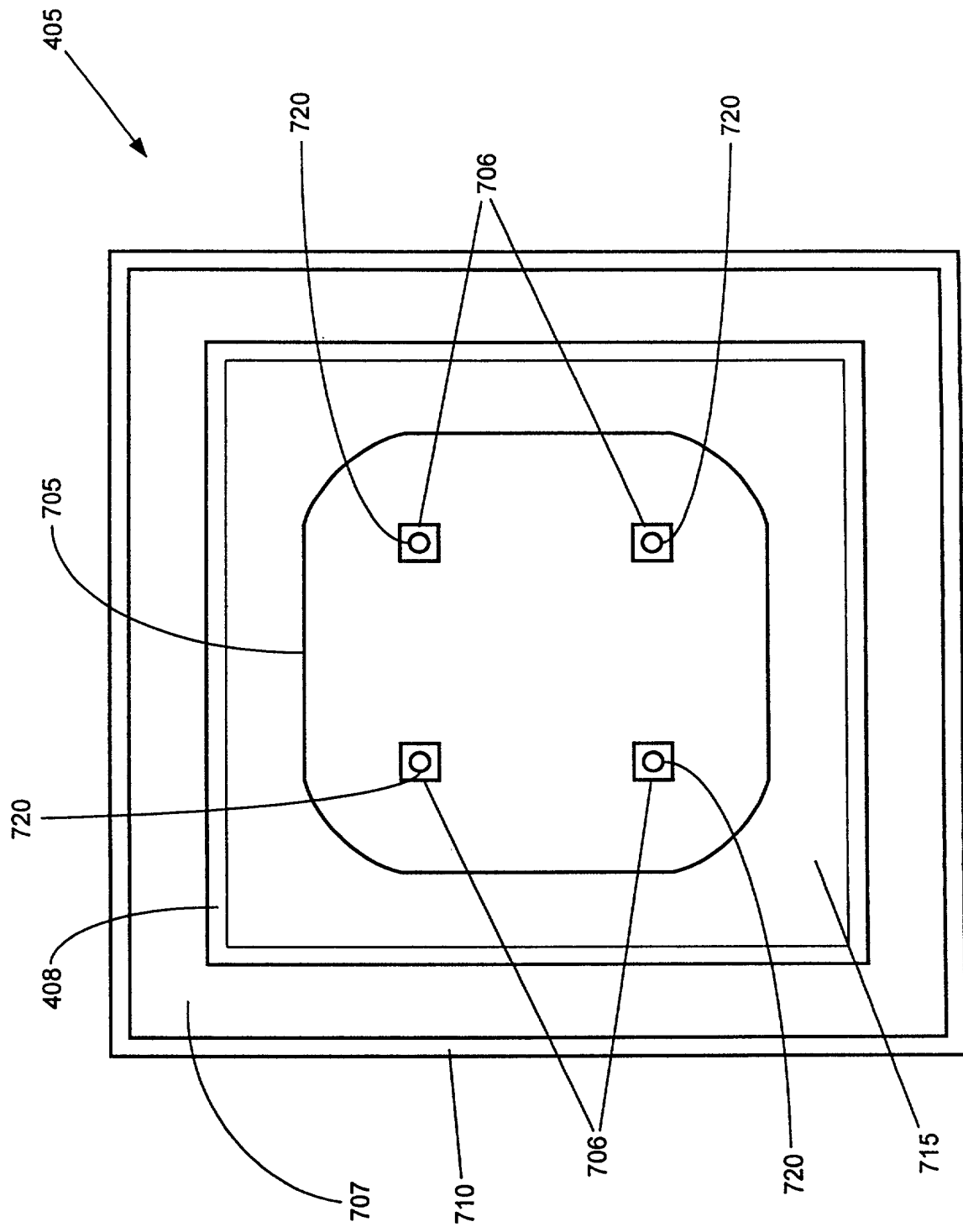


FIGURE 7c

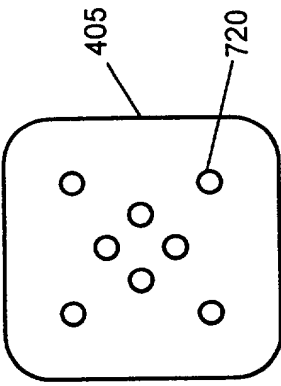


FIGURE 7f

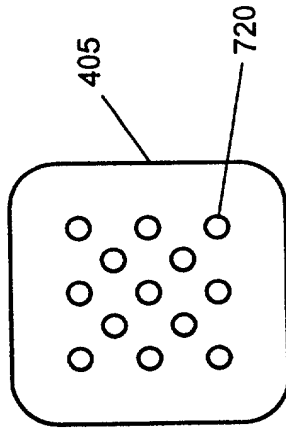


FIGURE 7i

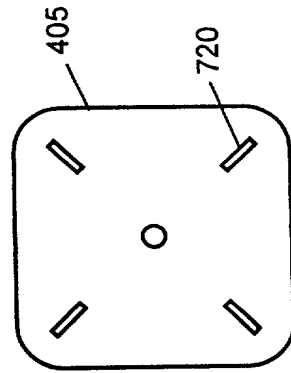


FIGURE 7j

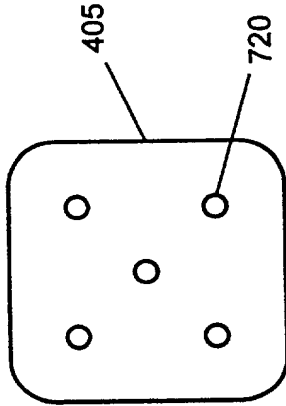


FIGURE 7e

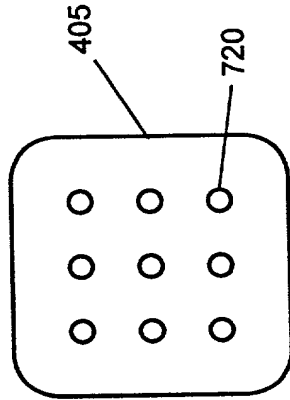


FIGURE 7h

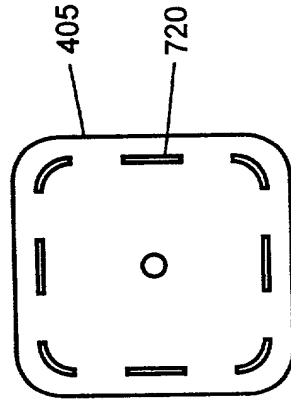


FIGURE 7k

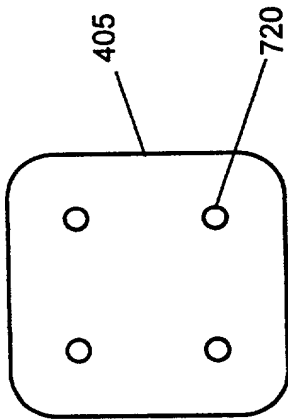


FIGURE 7d

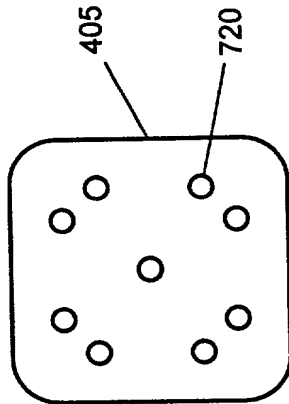


FIGURE 7g

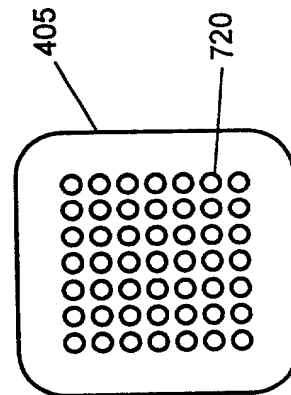


FIGURE 7l

FIG. 8a

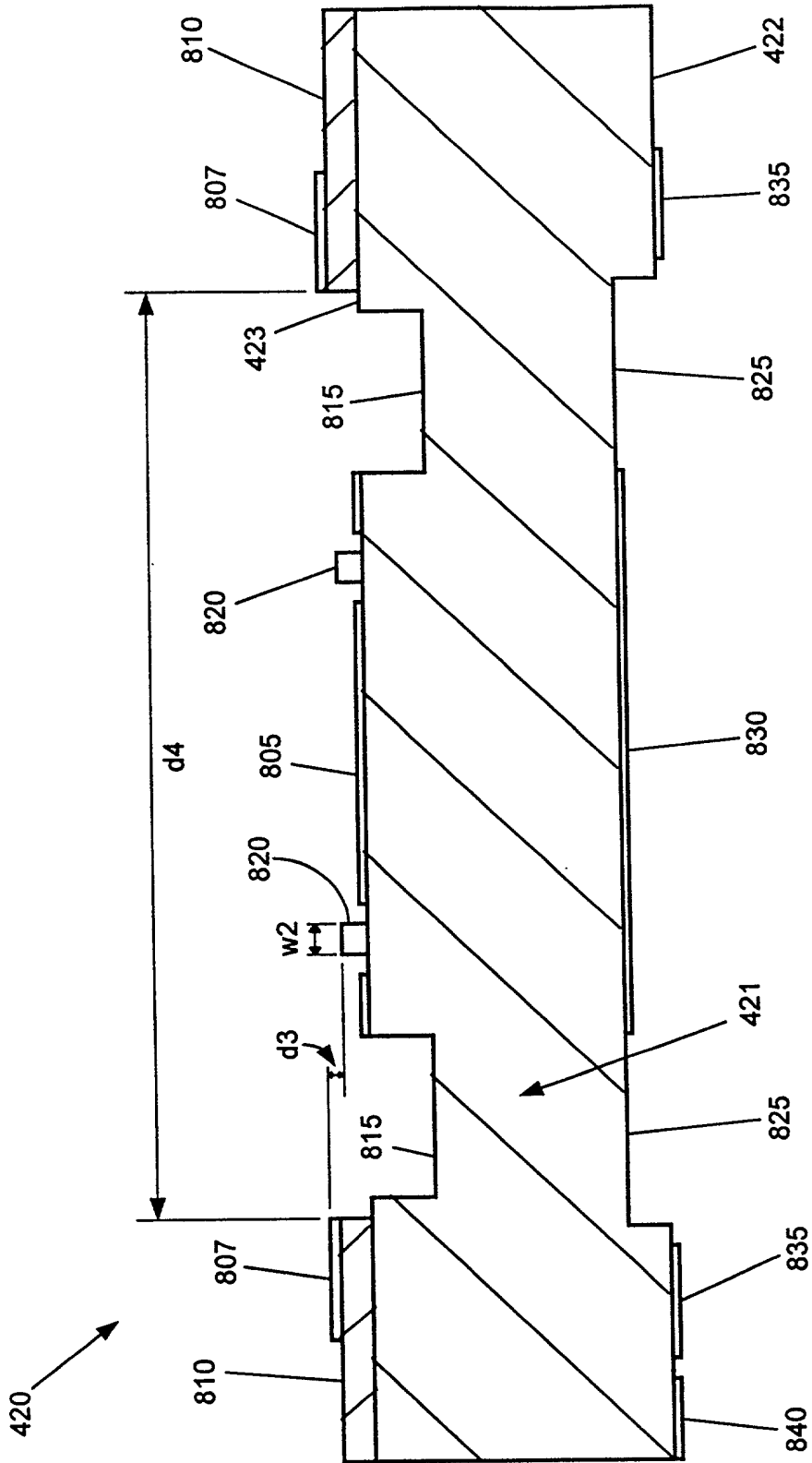


FIGURE 8a

FIGURE 8a

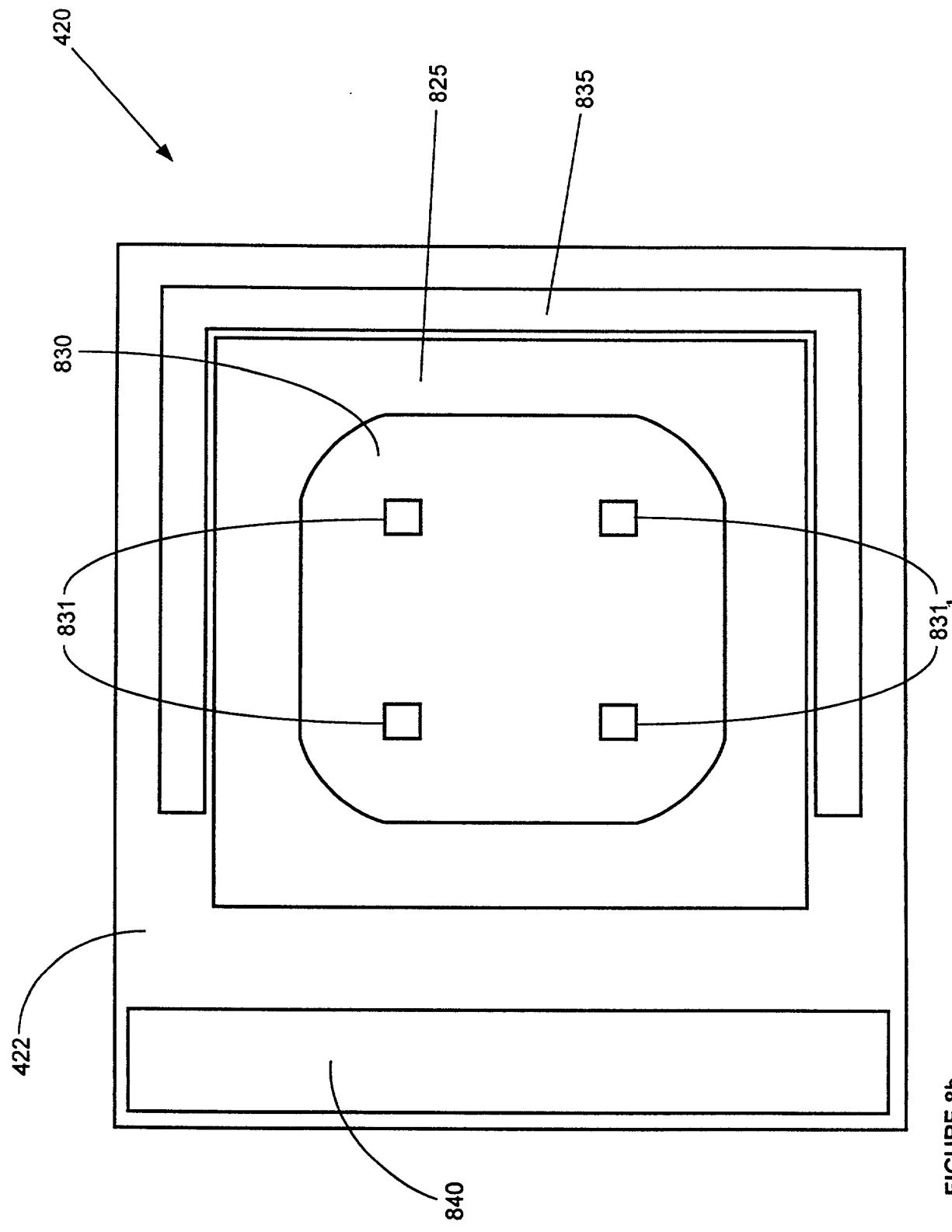


FIGURE 8b

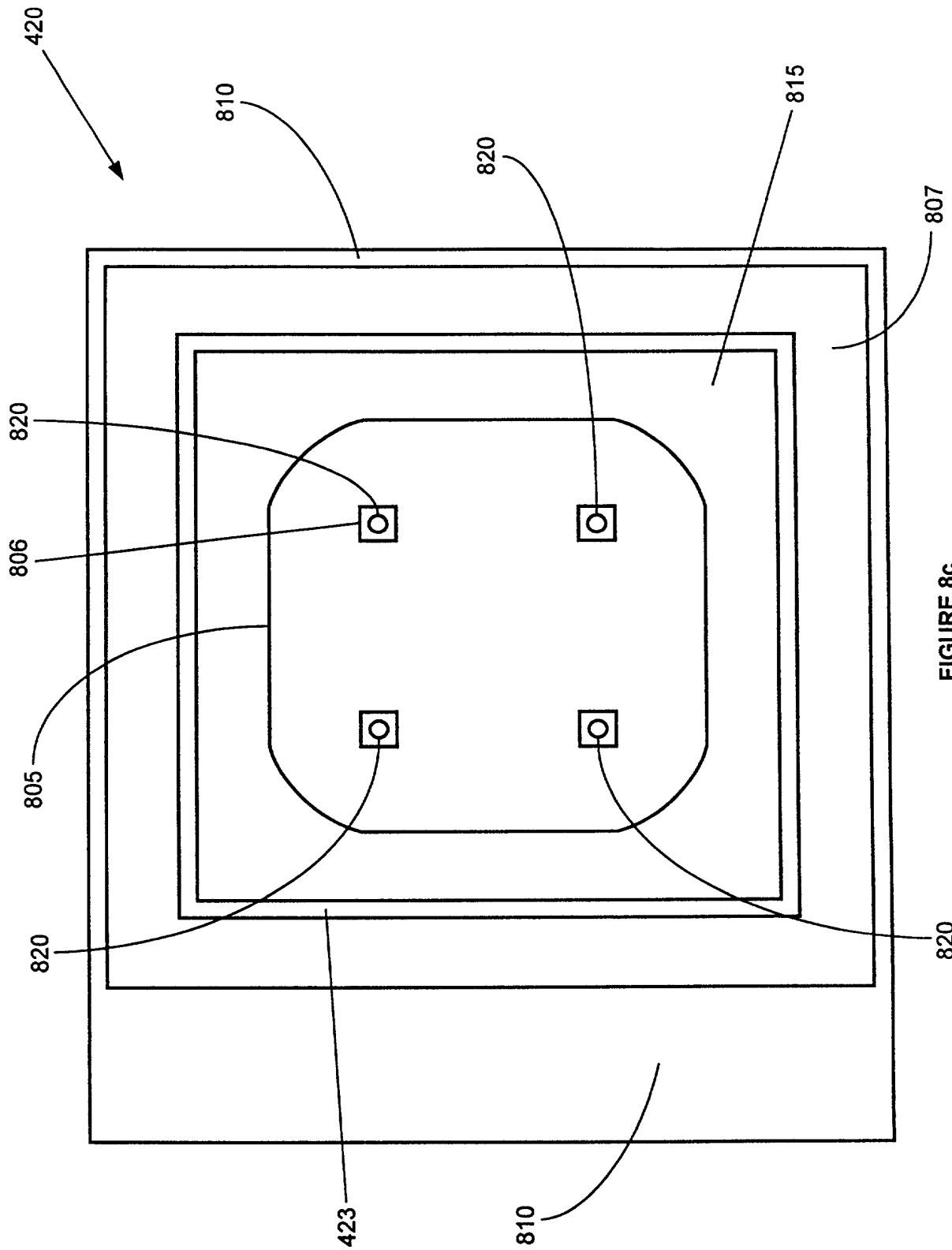


FIGURE 8c

FIG. 8c

FIG. 9a

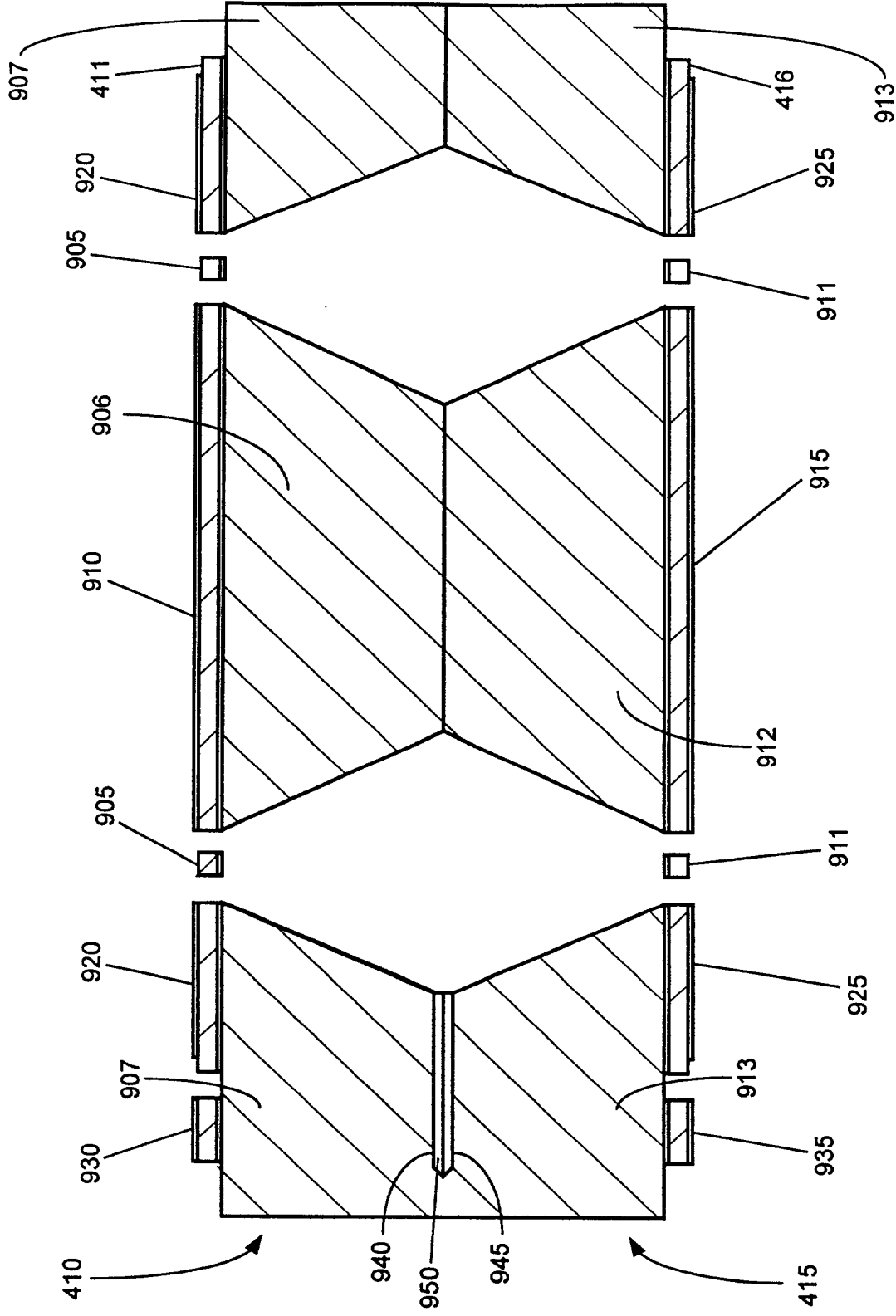


FIGURE 9a

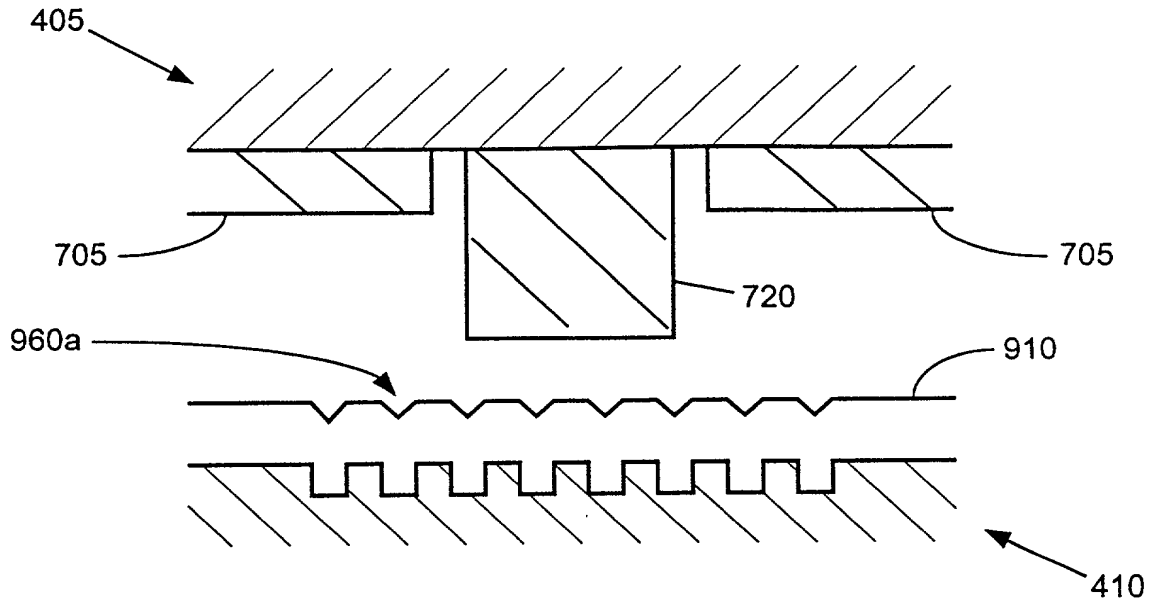


FIGURE 9aa

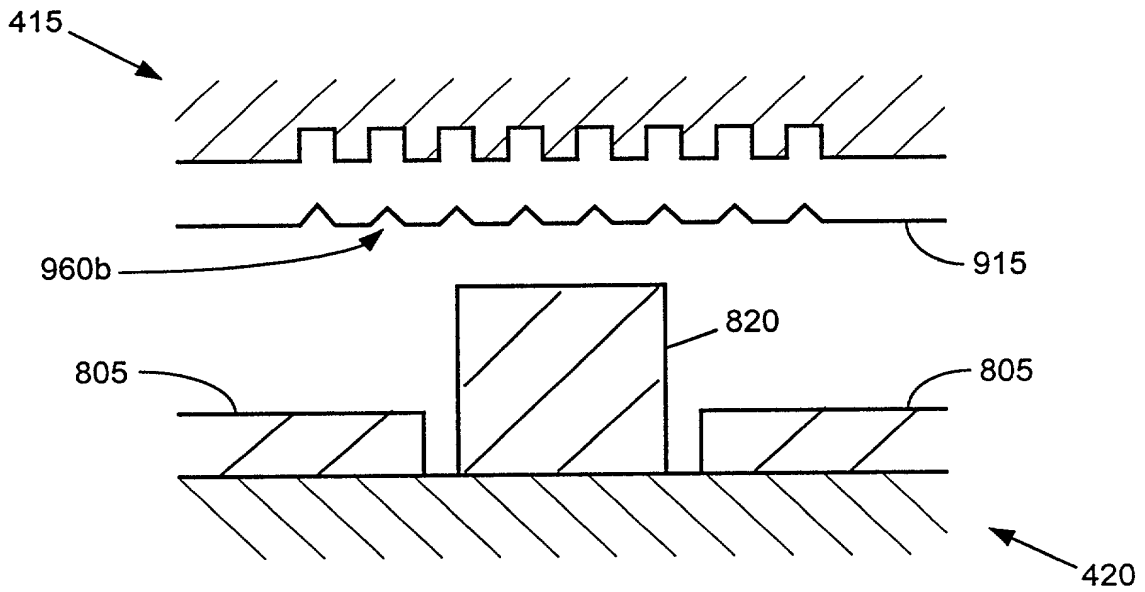


FIGURE 9ab

106590 982980



TOP VIEW OF 962/5350

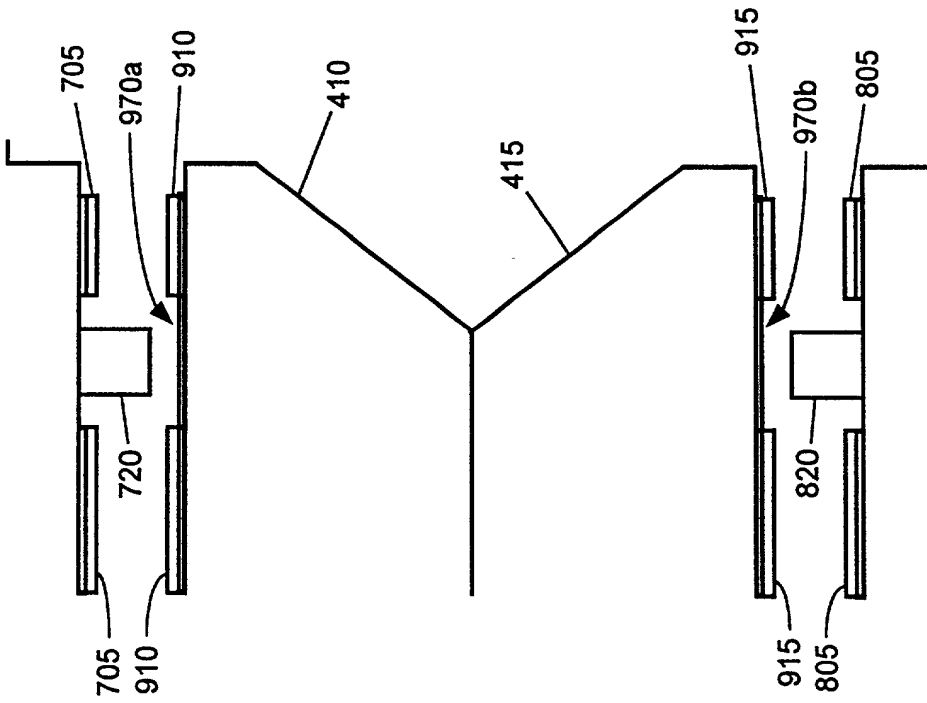


FIGURE 9ac

FIG. 9a

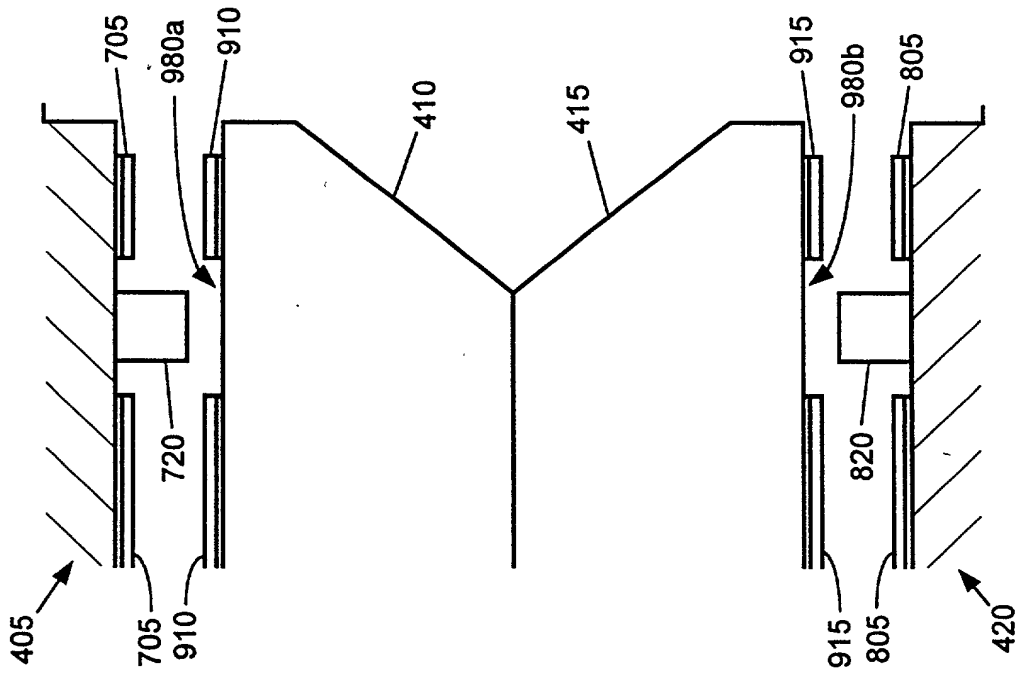


FIGURE 9ad

FIG. 9a

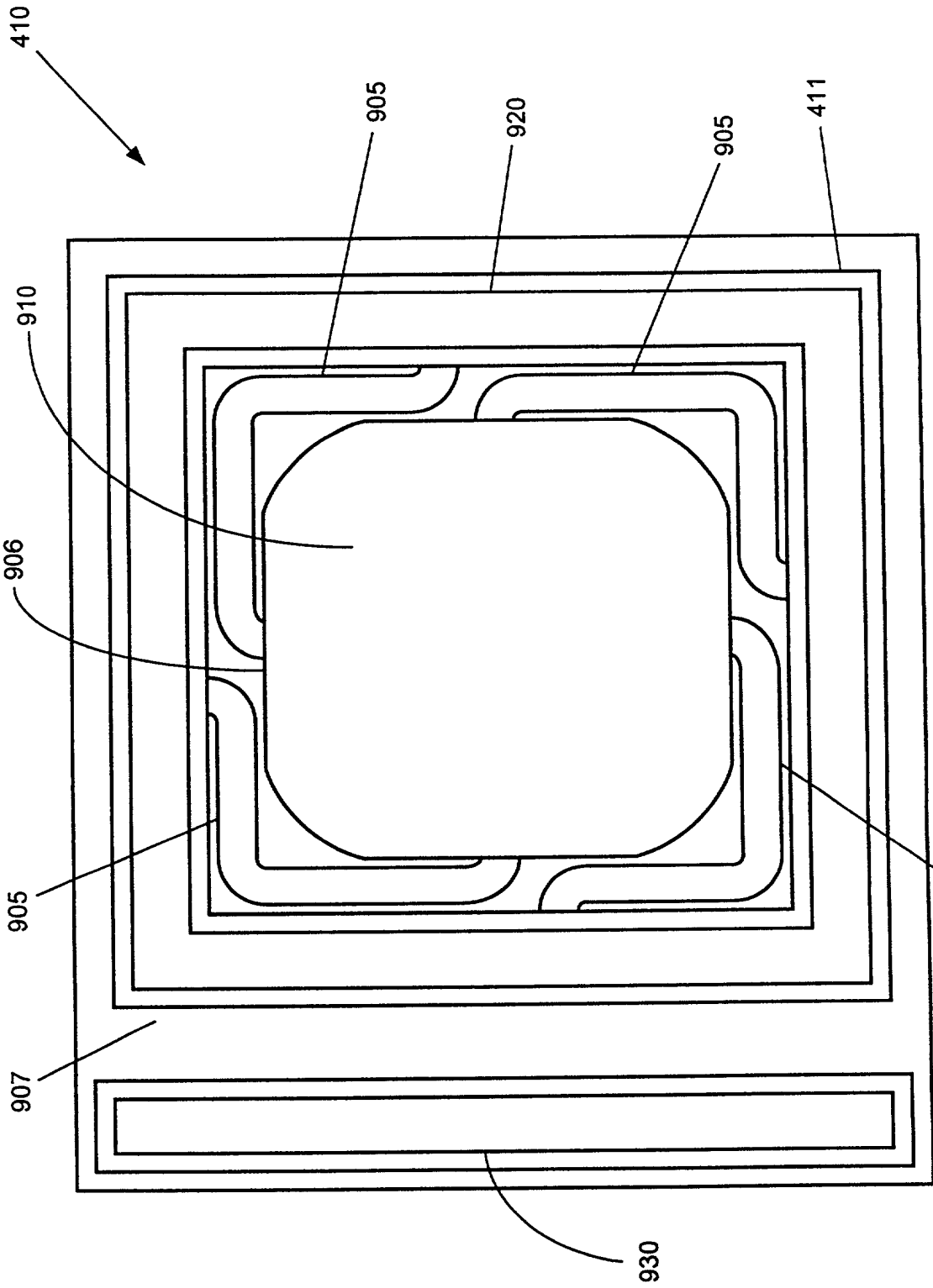


FIGURE 9b

905

FIG. 9C

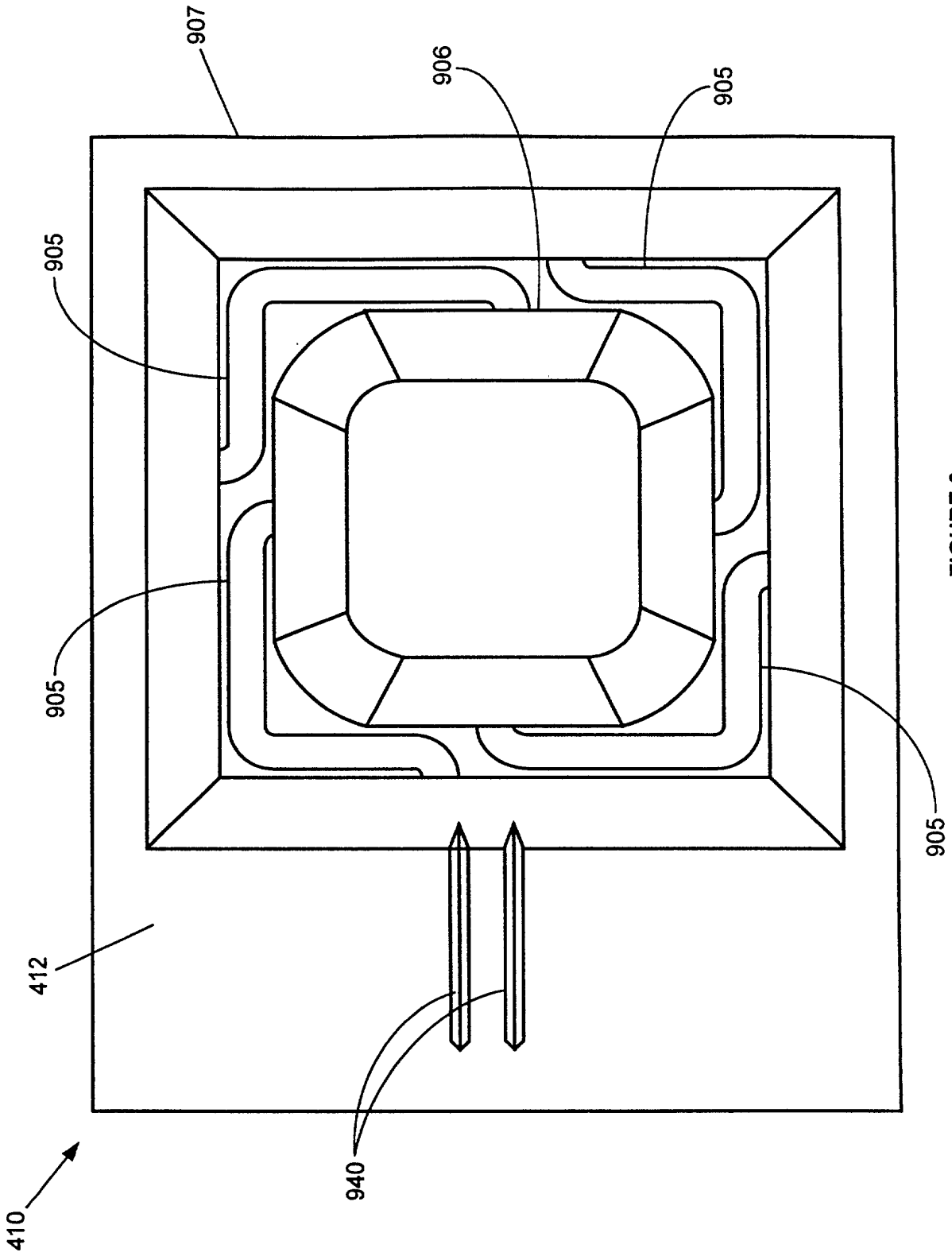


FIGURE 9c

FIGURE 9d

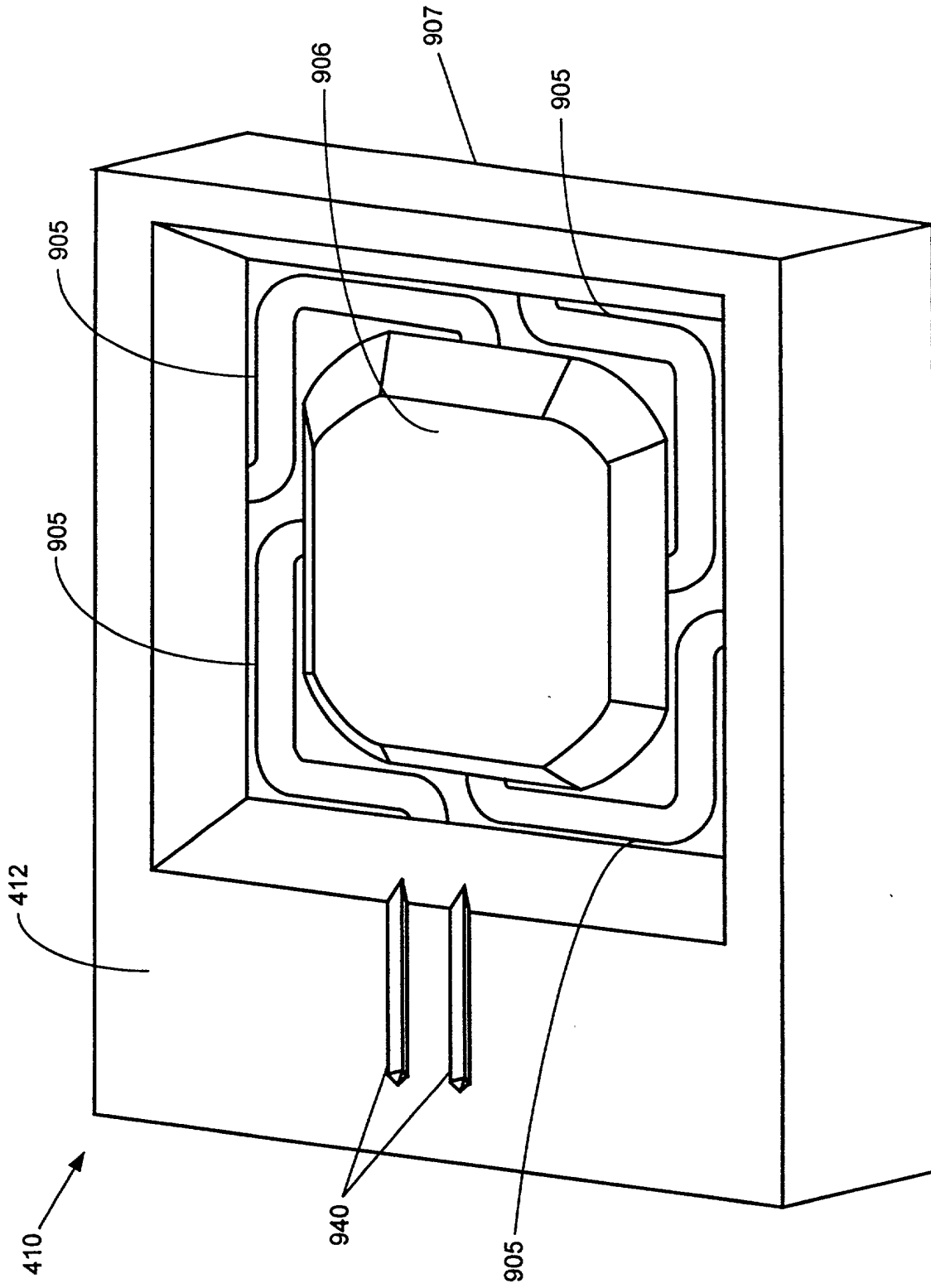


FIGURE 9d

FIG. 9e

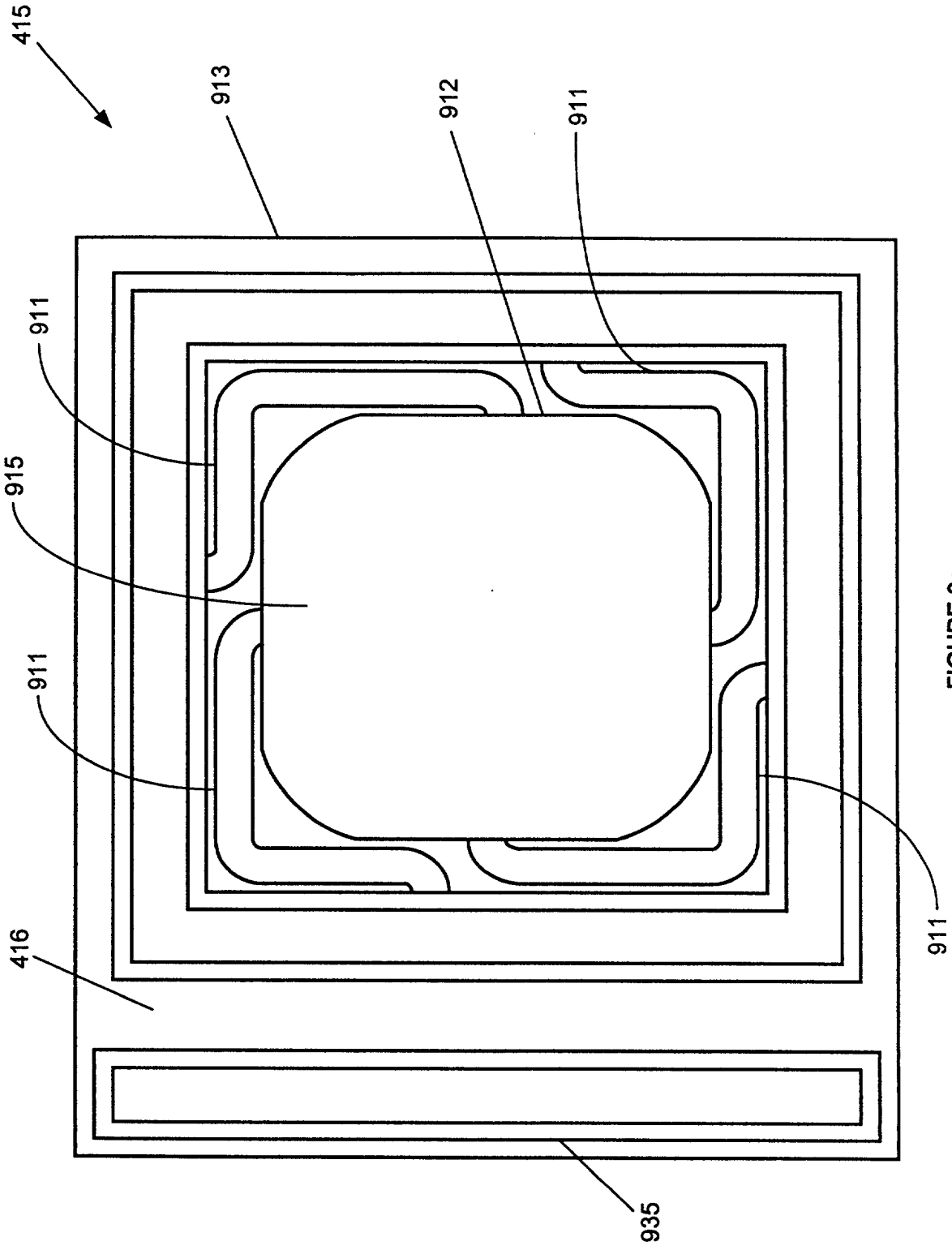


FIGURE 9e

FIG. 9f

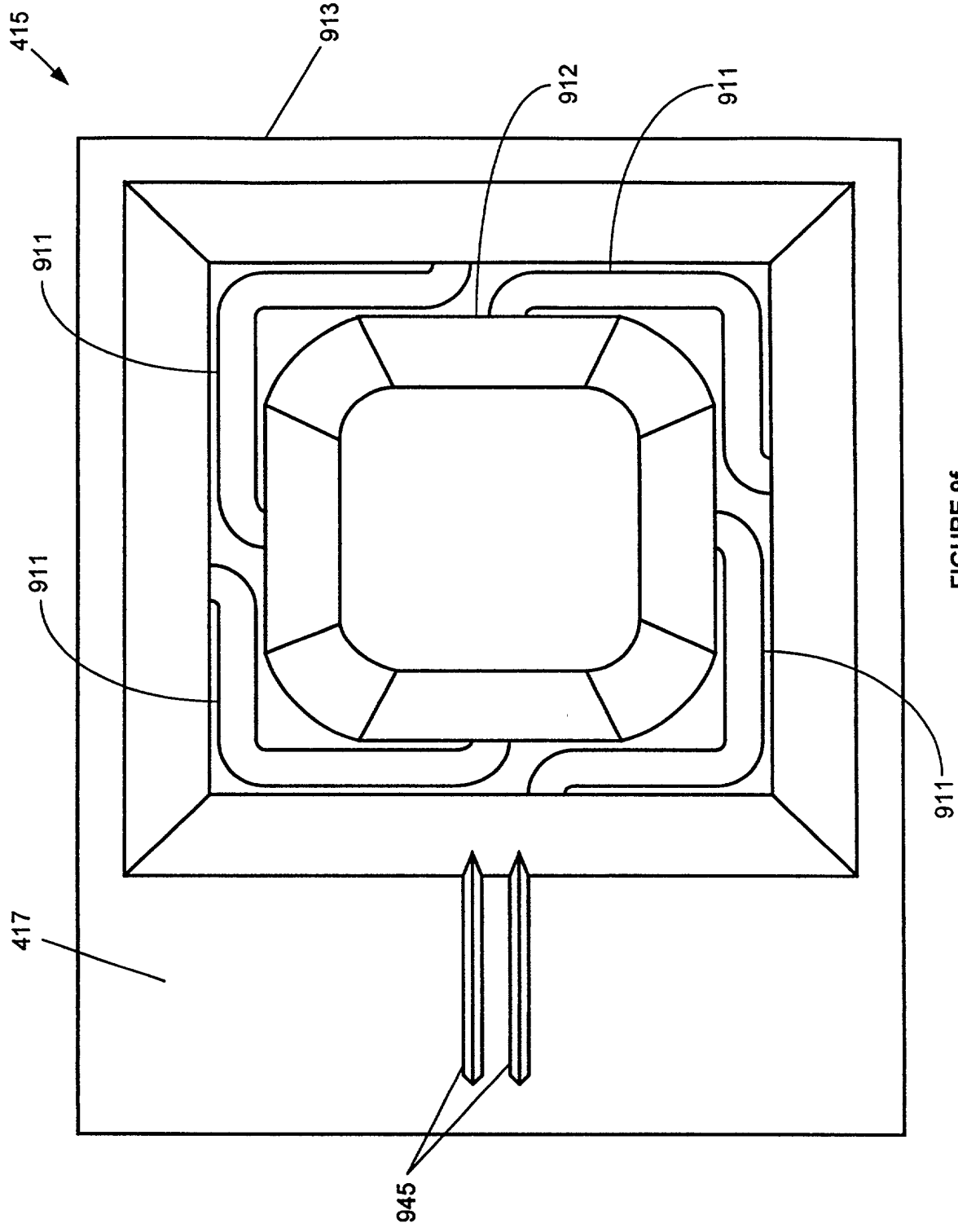


FIGURE 9f

FIG. 9g

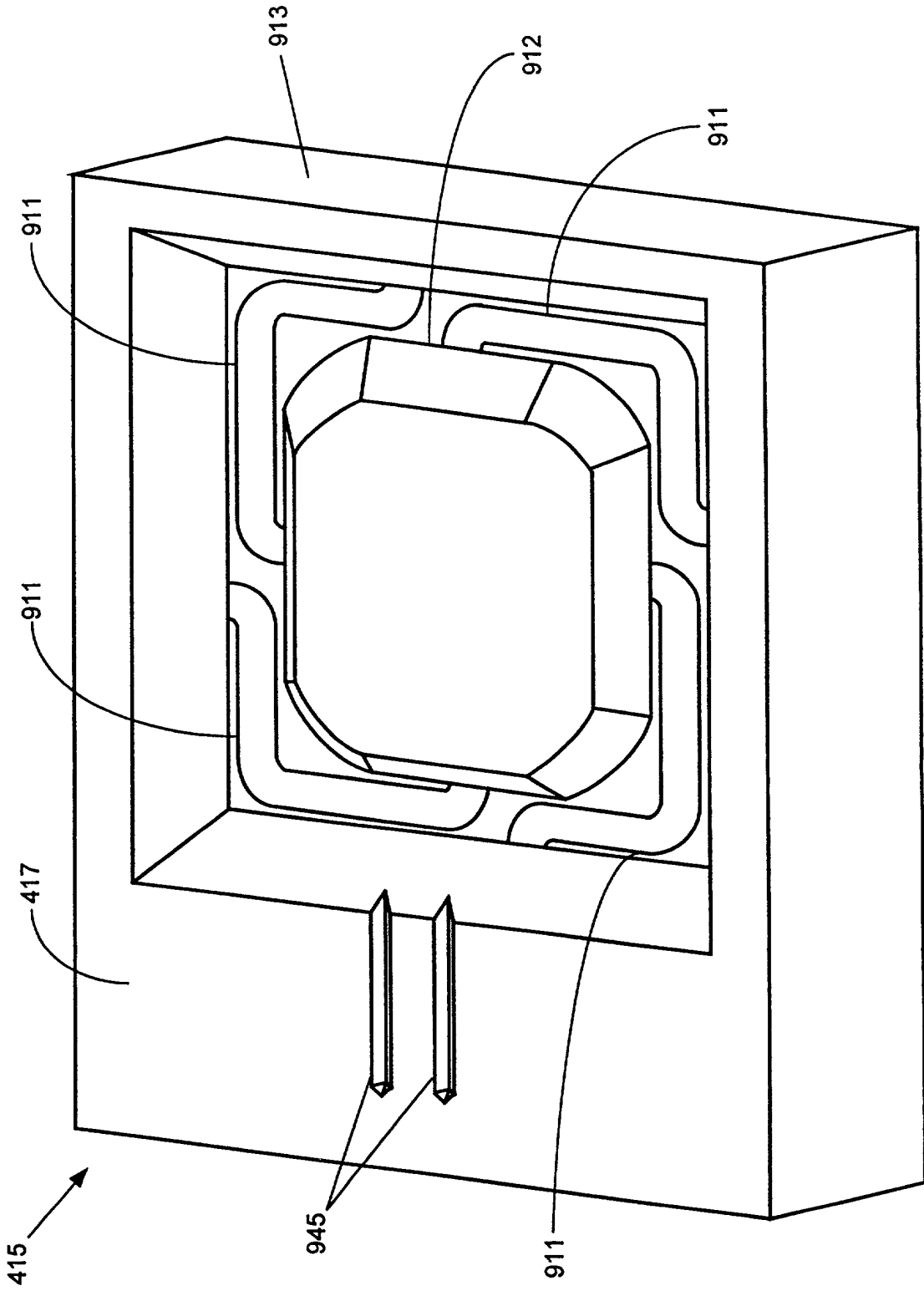


FIGURE 9g



FOCUS 962360

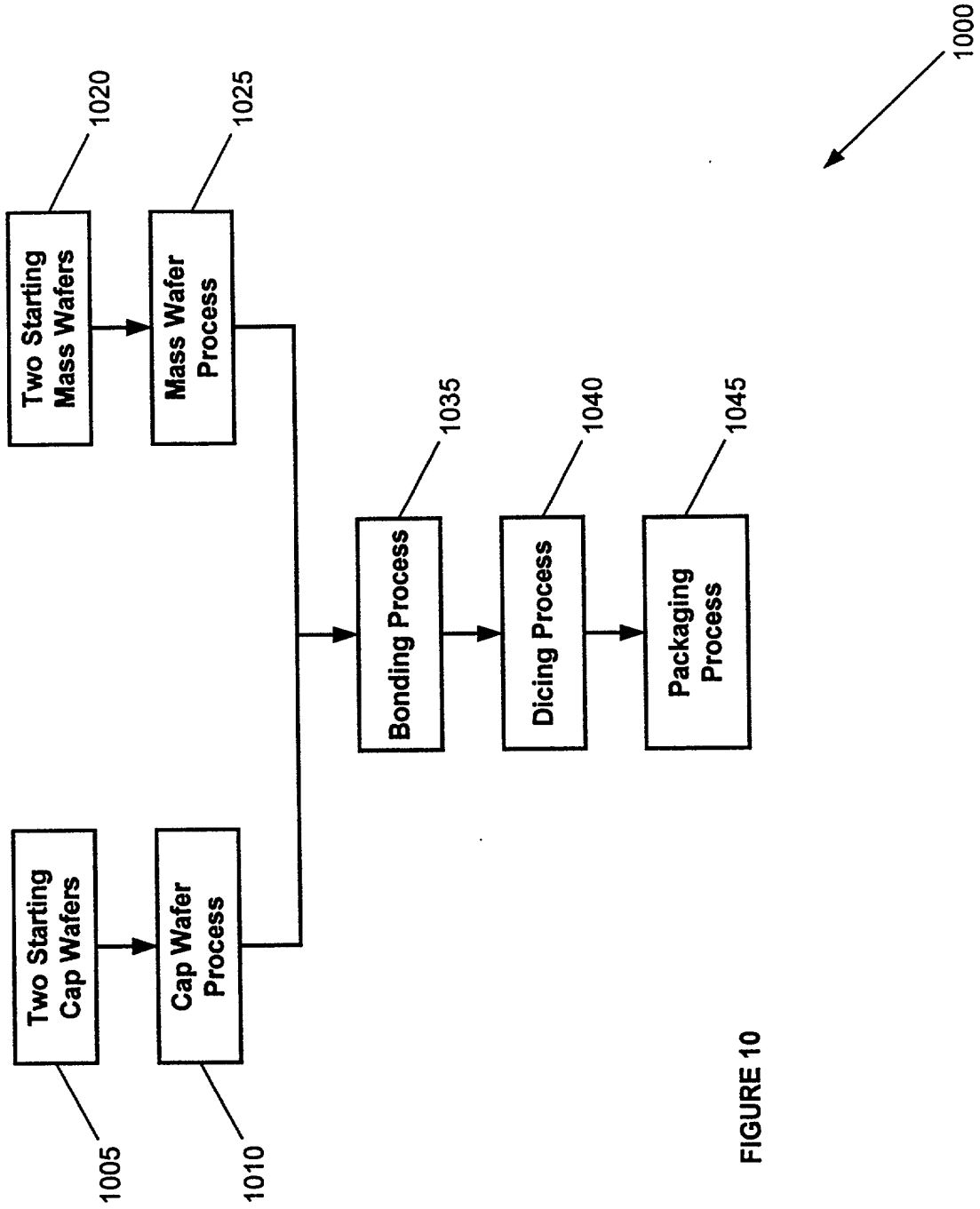
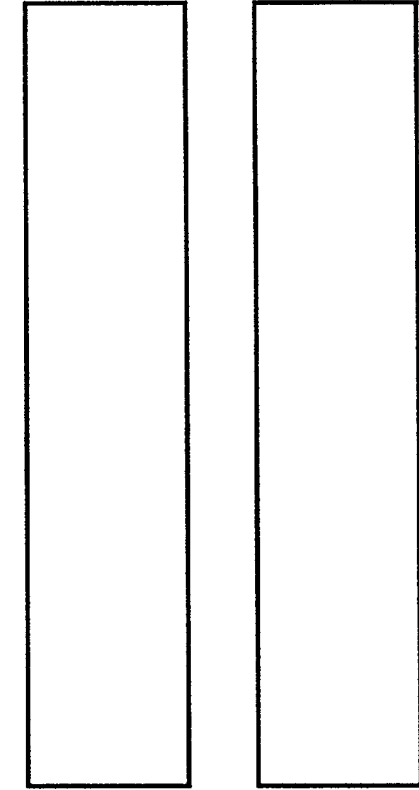



FIGURE 10

FIG. 11A

1005



1105a



1105b



FIGURE 11a

FIG. 11a

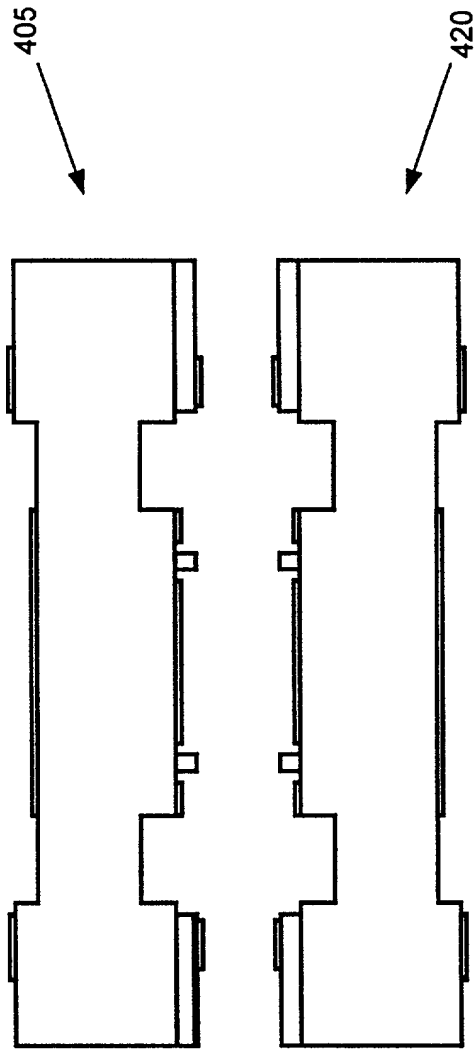
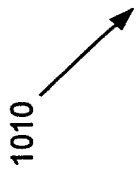


FIGURE 11b

FIG. 11C

1020

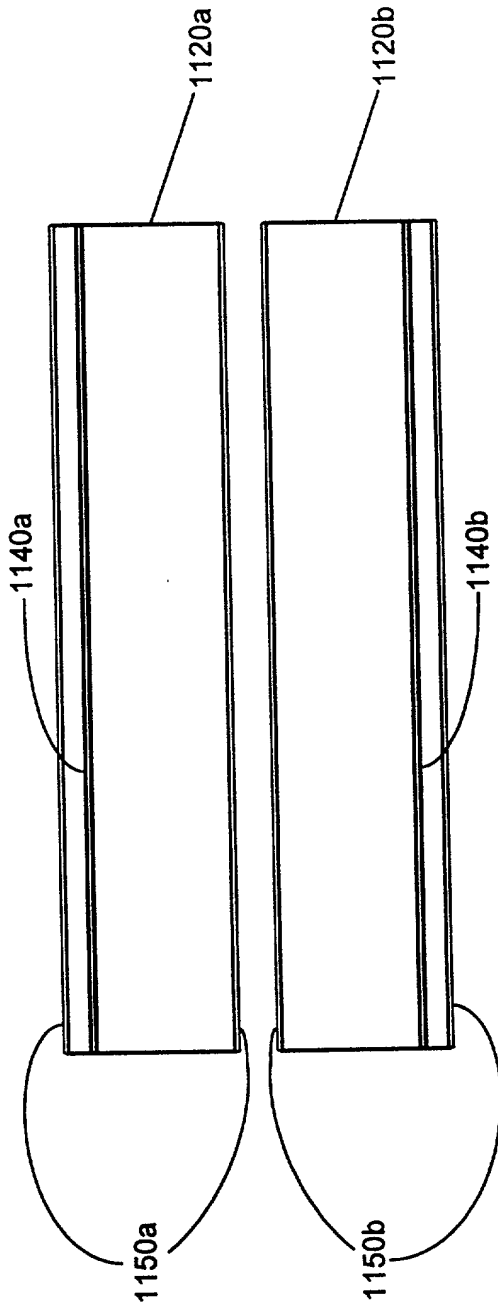


FIGURE 11c

FIG. 11d

1120a

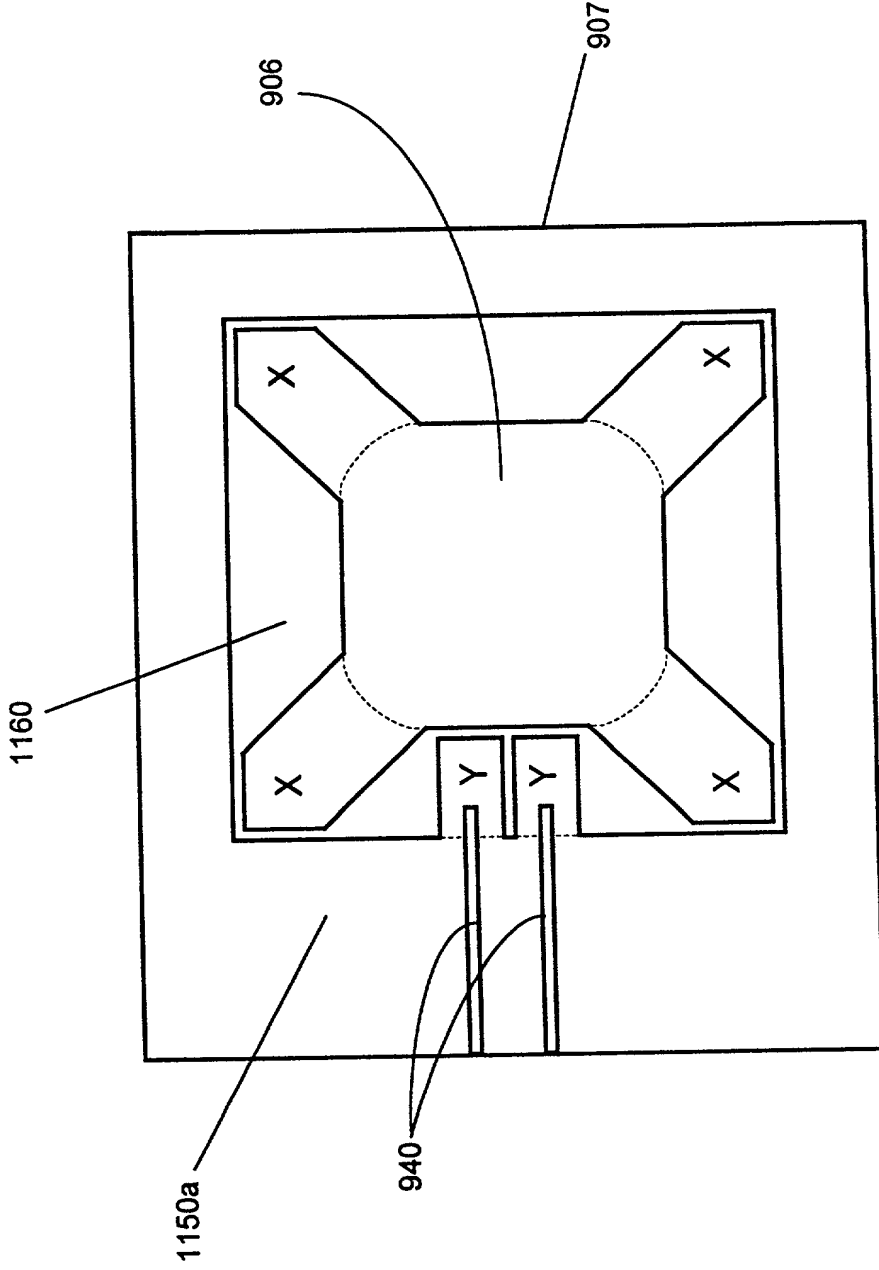


FIGURE 11d

FIG. 11e

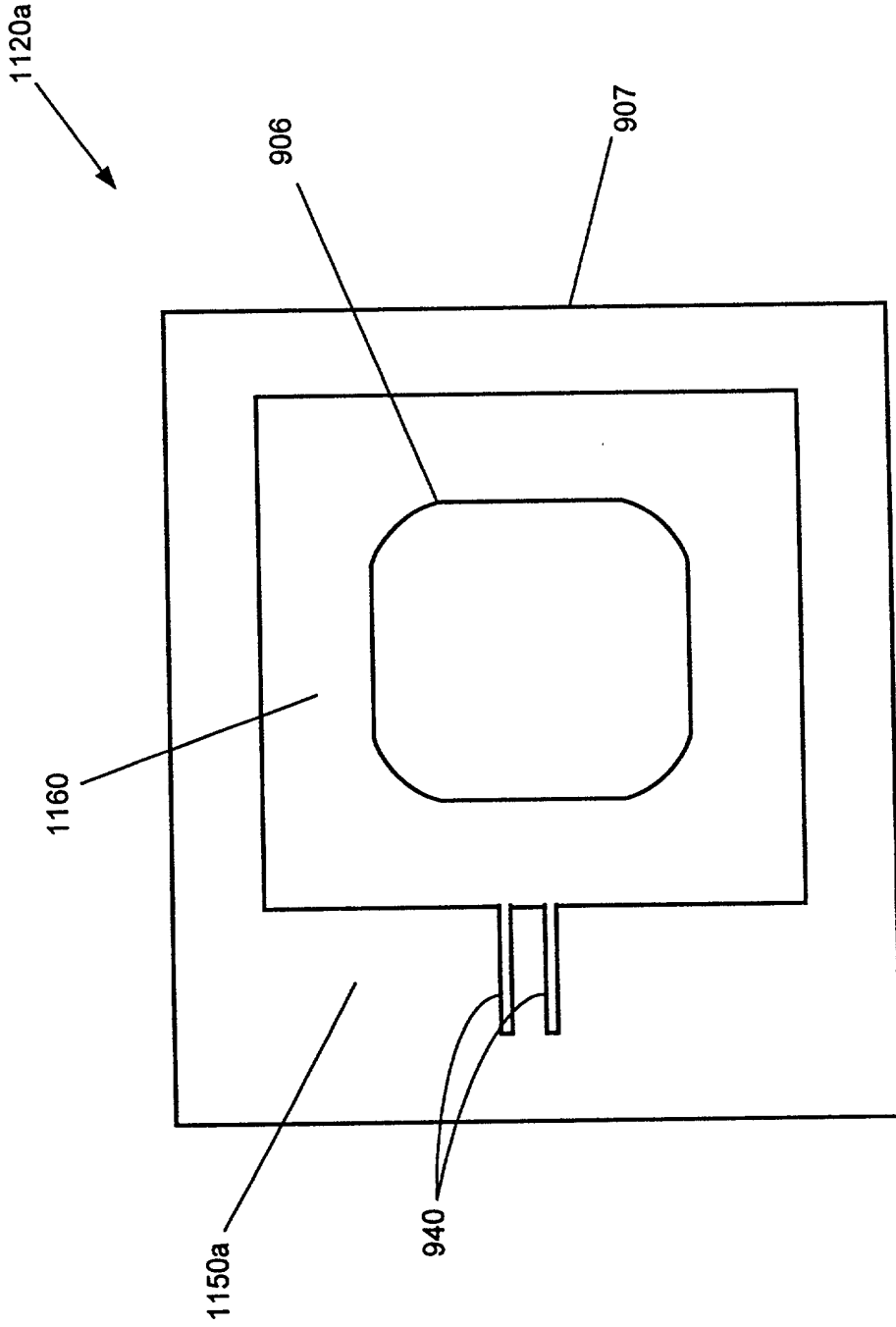


FIGURE 11e

FIG. 11f

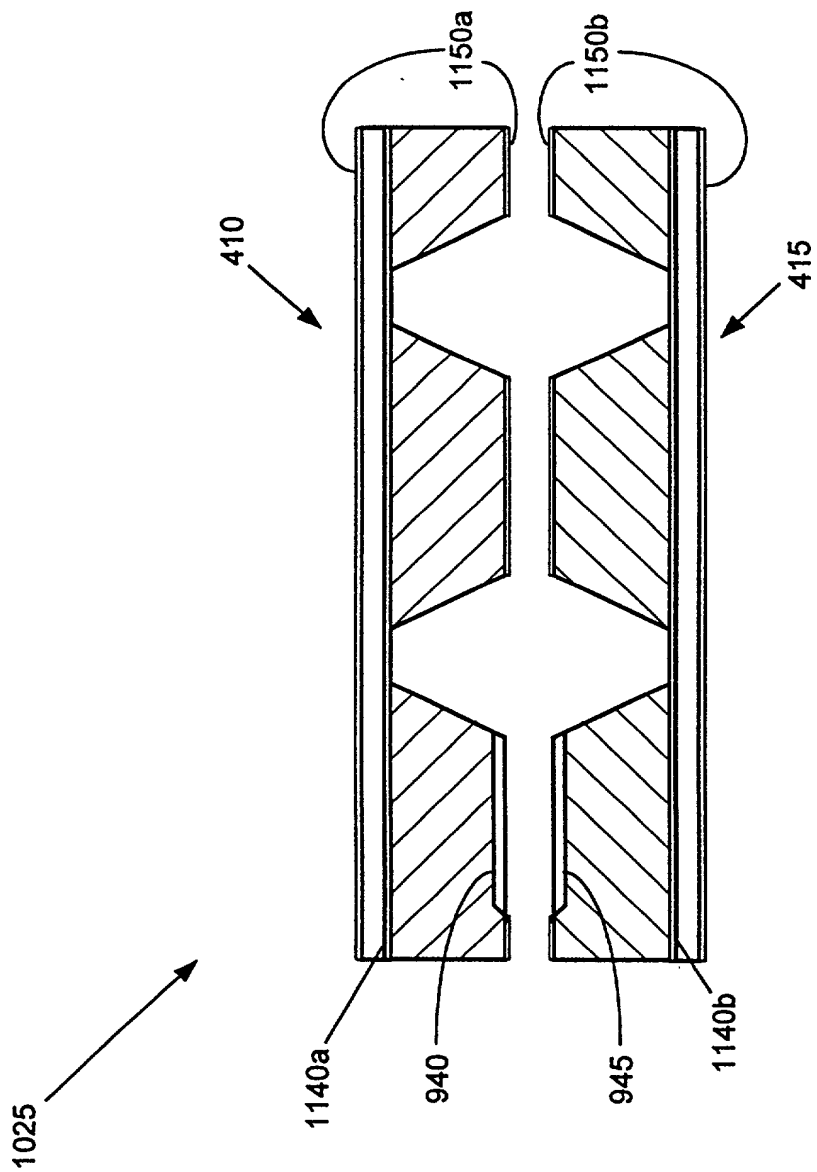


FIGURE 11f

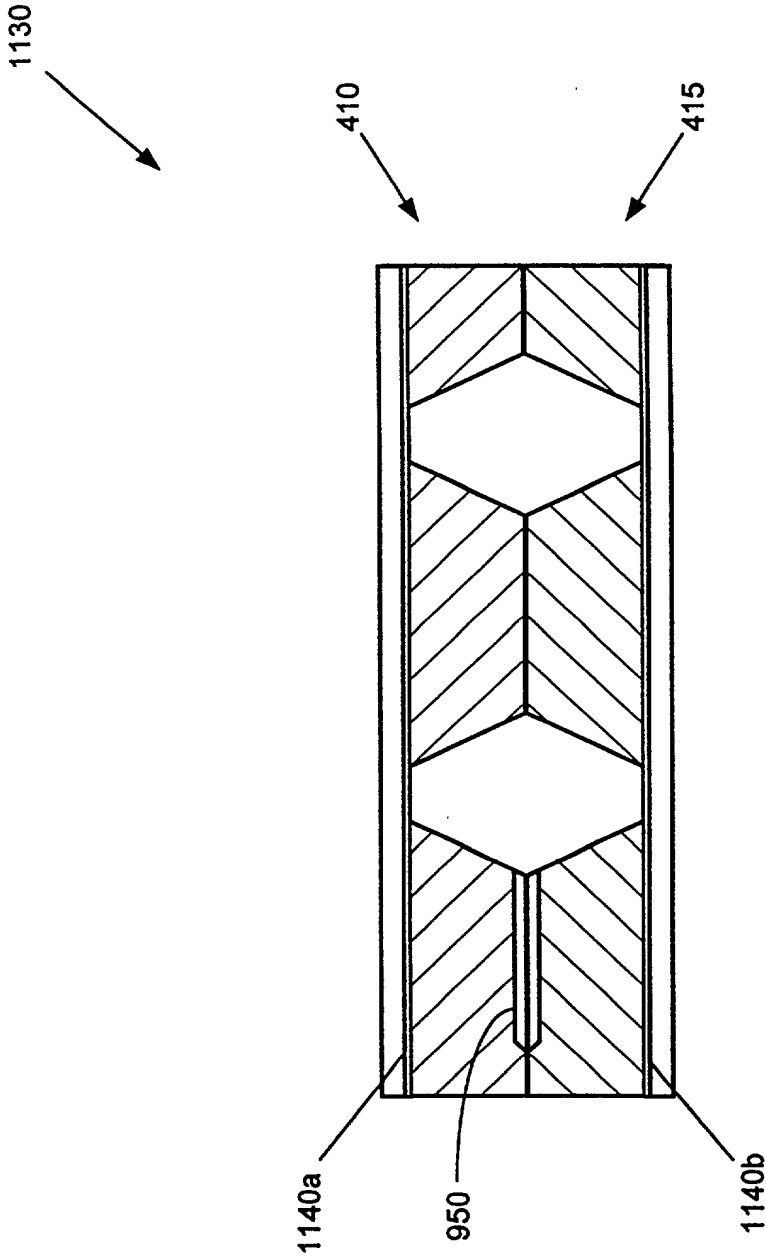


FIGURE 11g

FIG. 11g



FIG. 11h

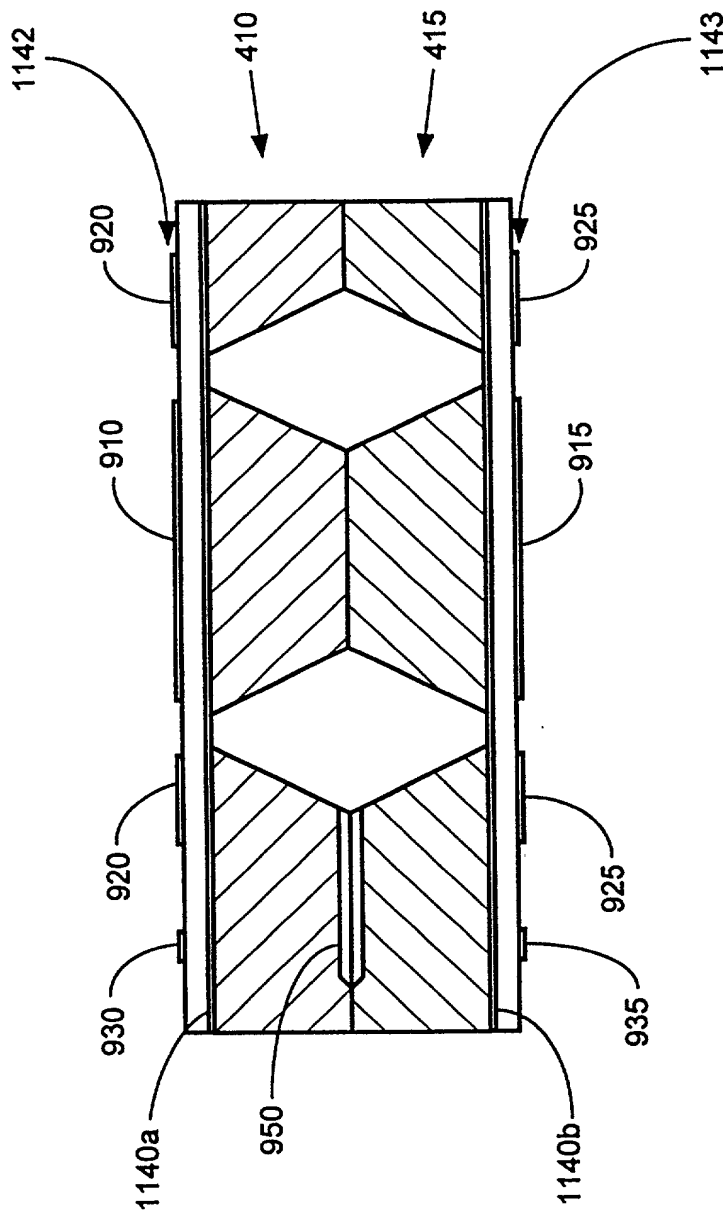


FIGURE 11h

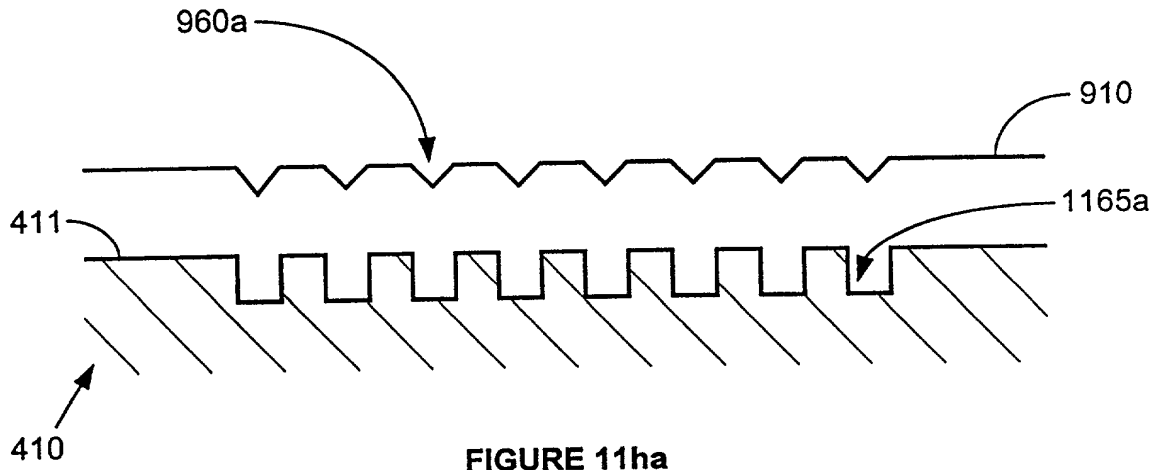


FIGURE 11ha

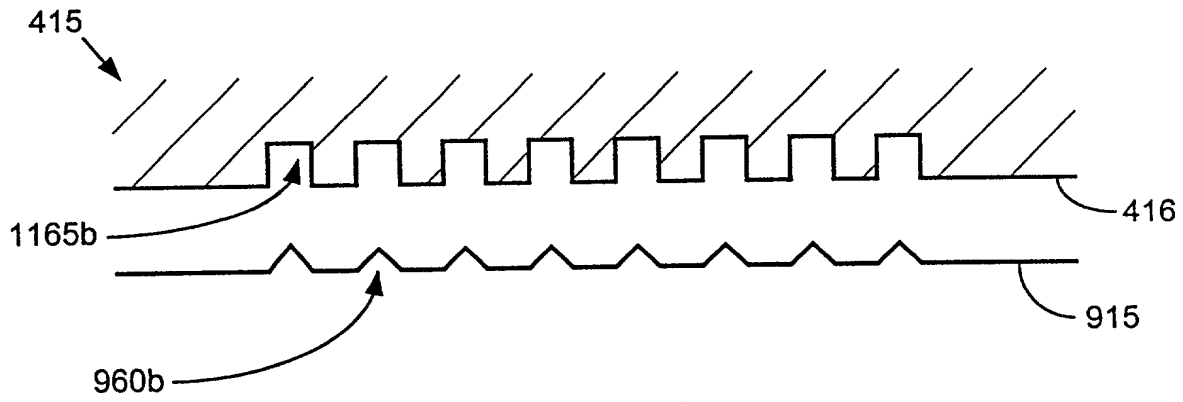


FIGURE 11hb

FIG. 11a

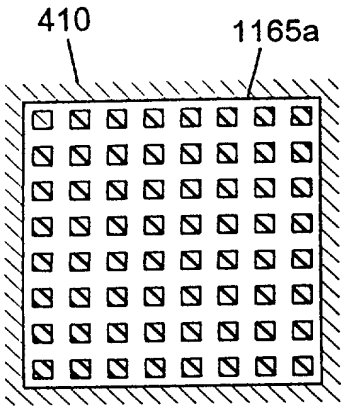


FIGURE 11hc

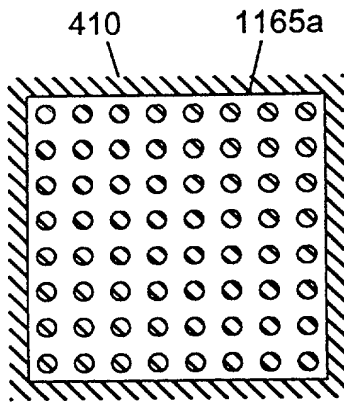


FIGURE 11hd

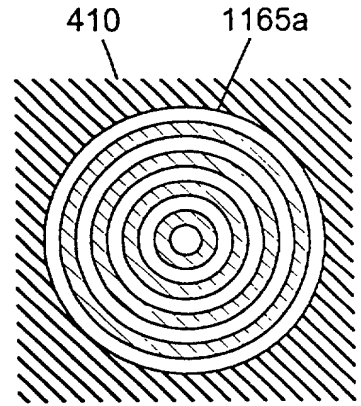


FIGURE 11he

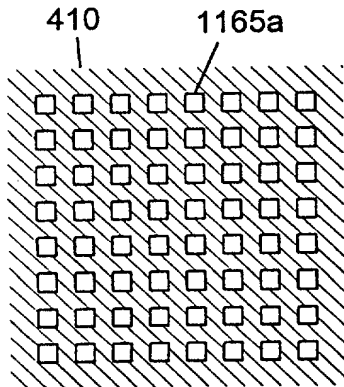


FIGURE 11hf

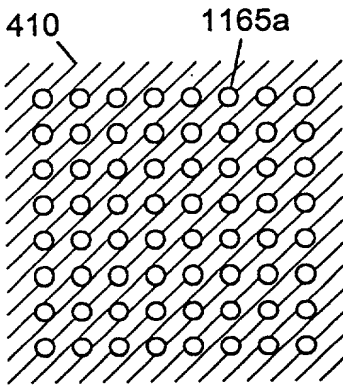


FIGURE 11hg

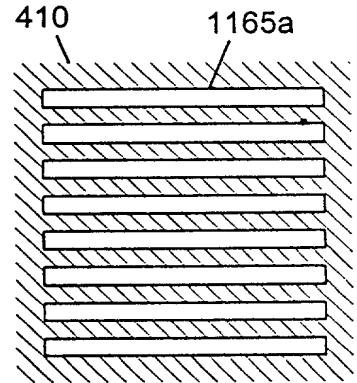


FIGURE 11hh

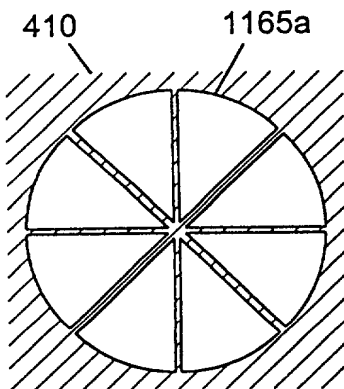


FIGURE 11hi

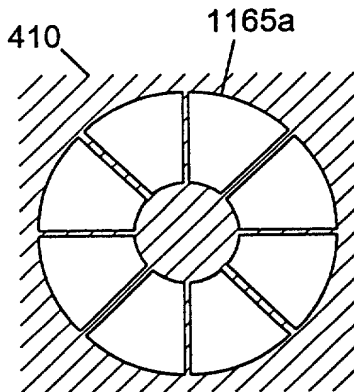


FIGURE 11hj

FIG. 11

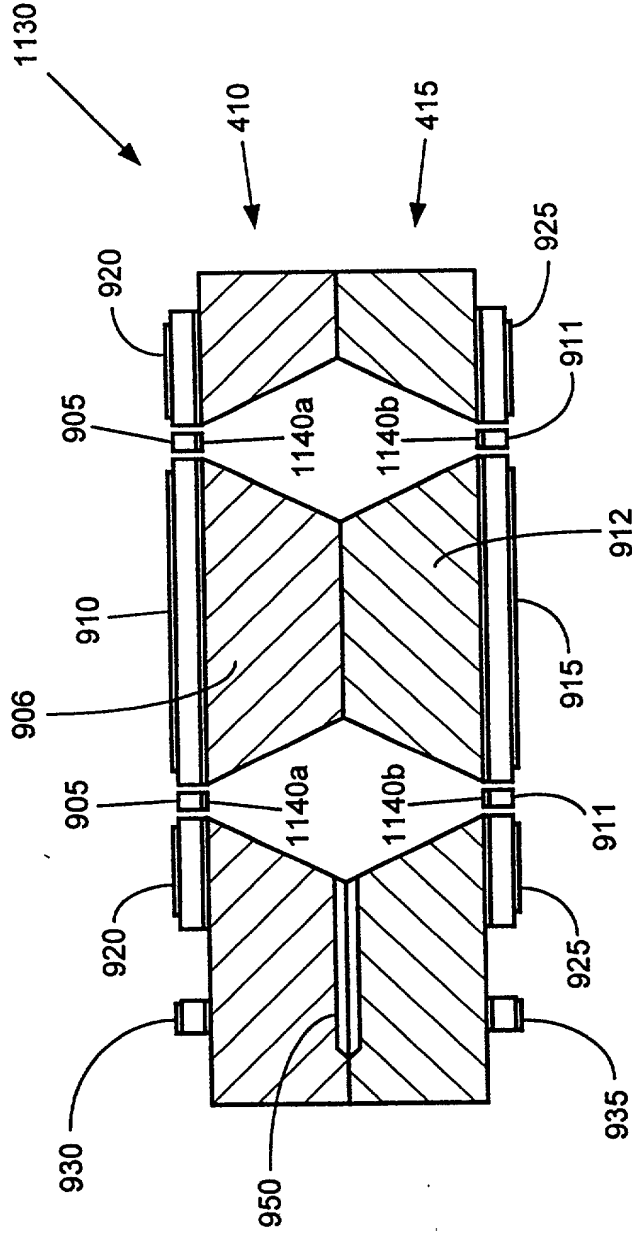


FIGURE 11i

FIG. 11J

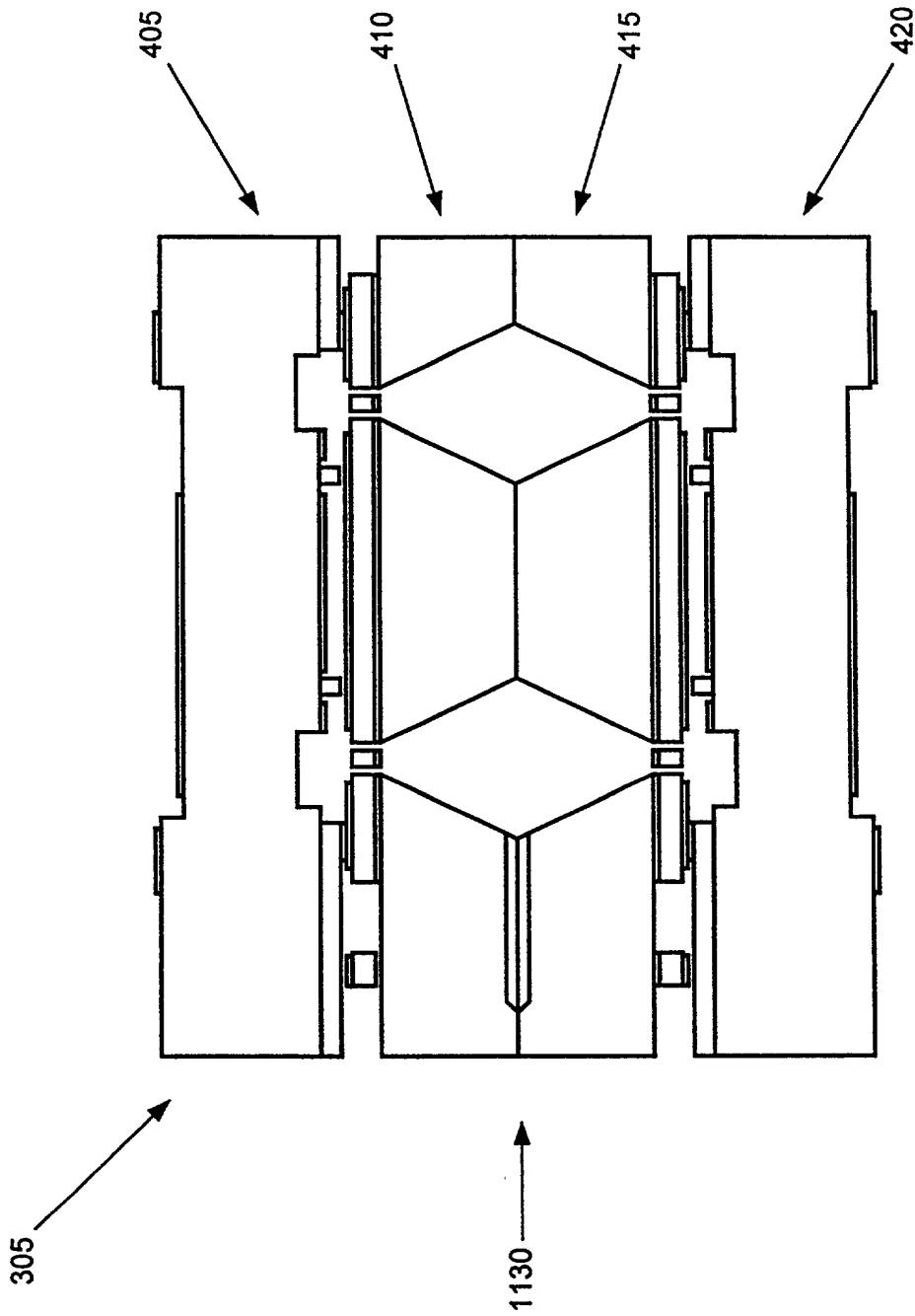


FIGURE 11J

FIG. 12a

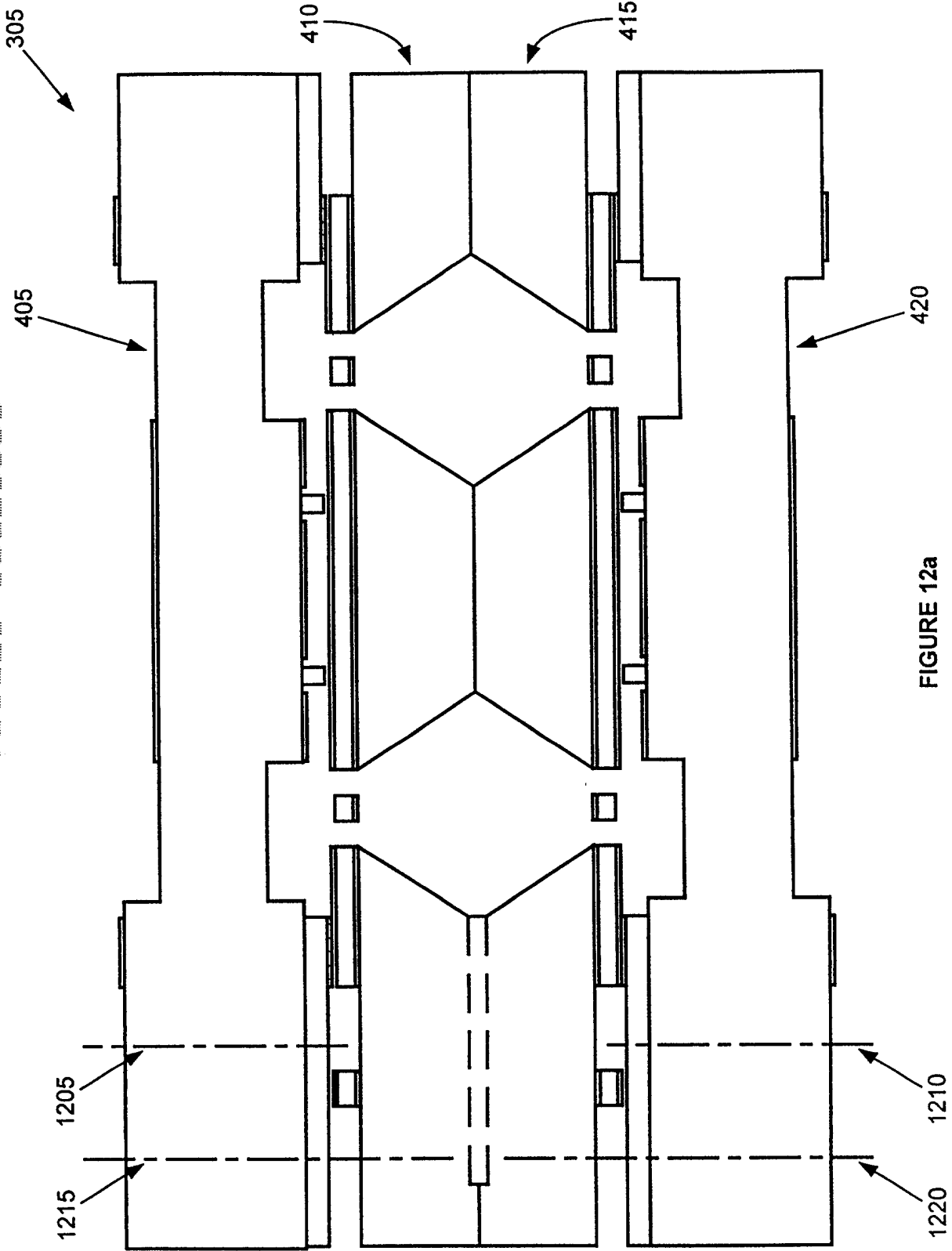


FIGURE 12a

FOCUS 982/9860

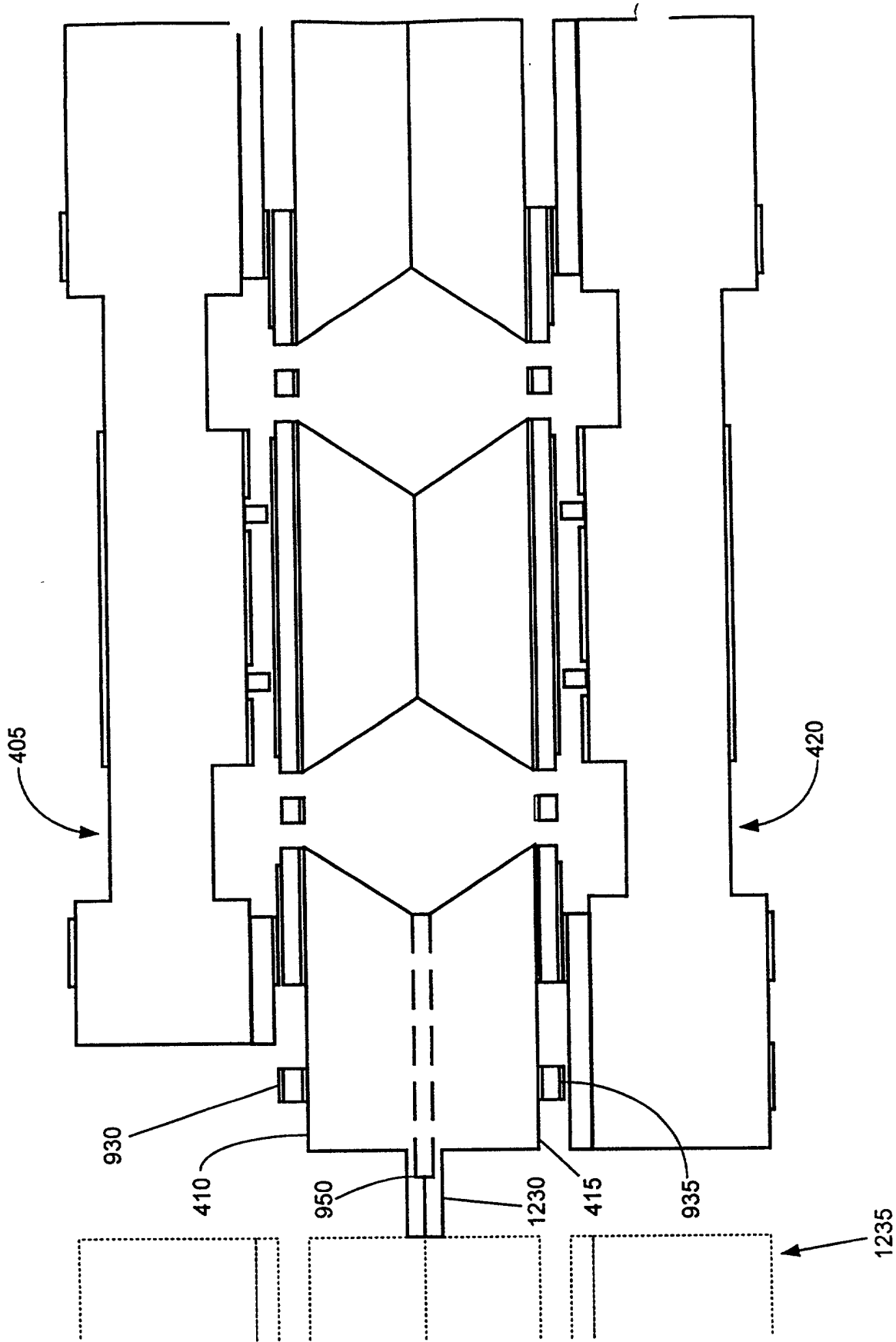


FIGURE 12b

(

FIG. 12c

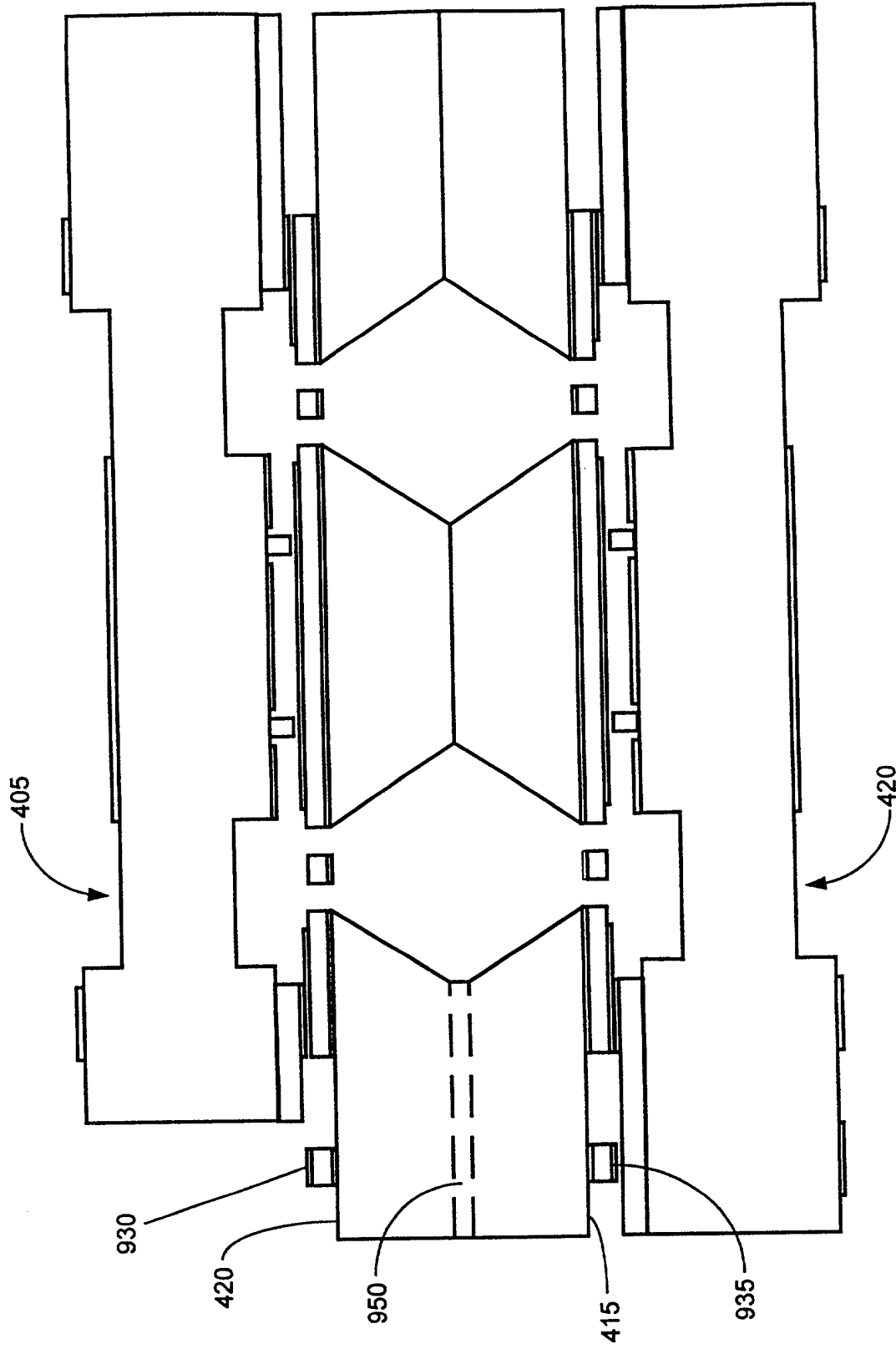


FIGURE 12c



FOCUS 9829860

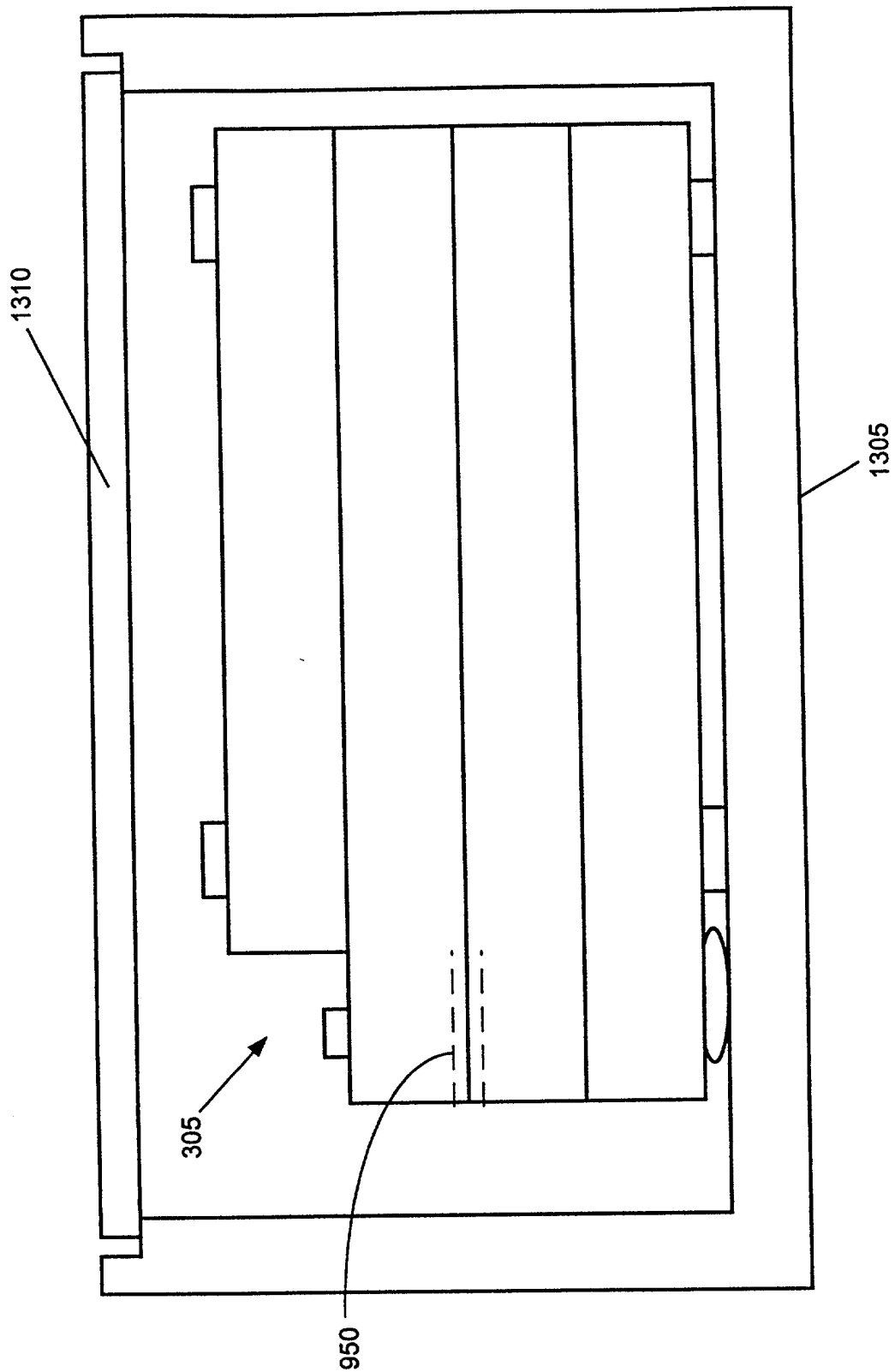


FIGURE 13

FIG. 14

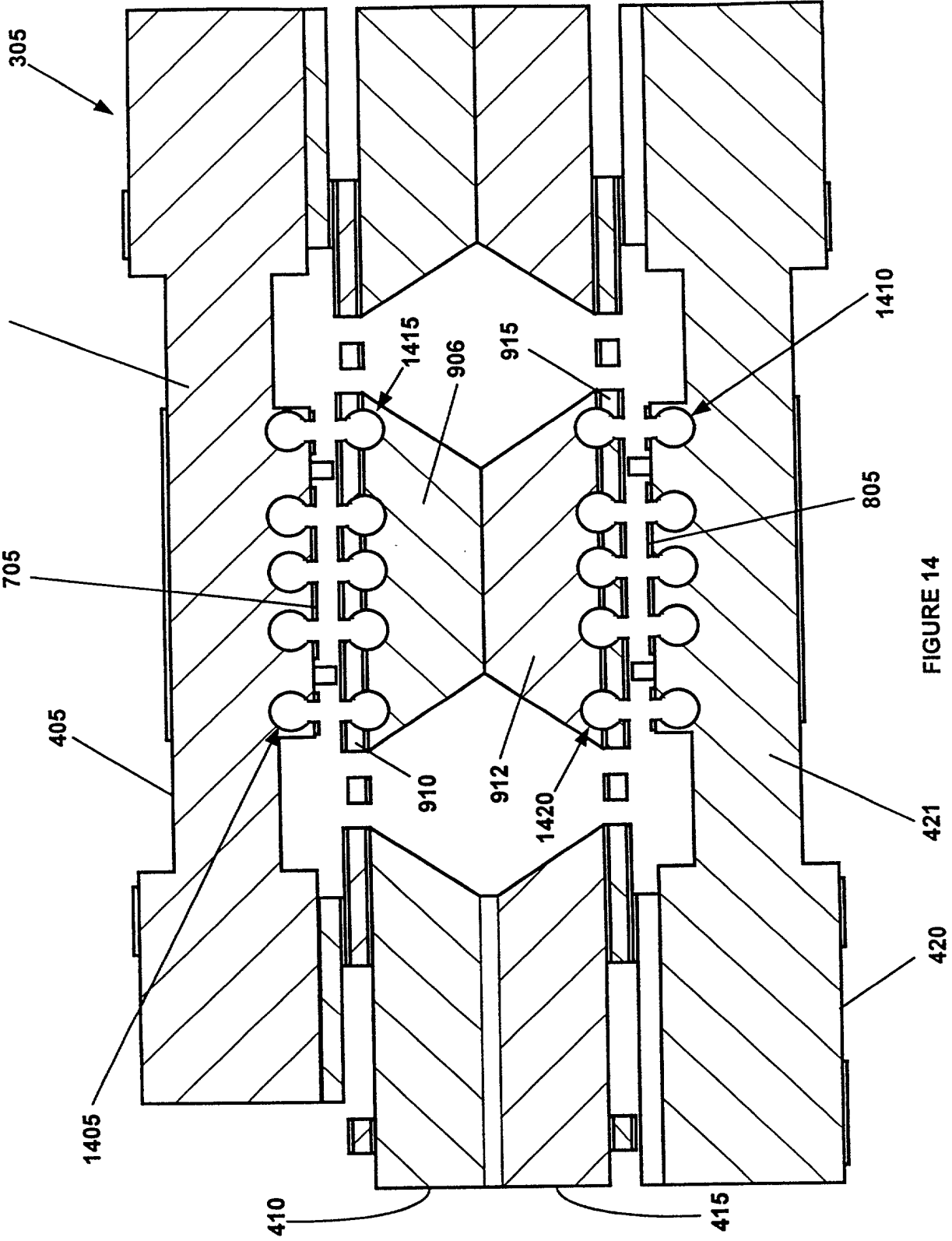


FIGURE 14

106250\* 98229860

1405, 1410, 1415, 1420

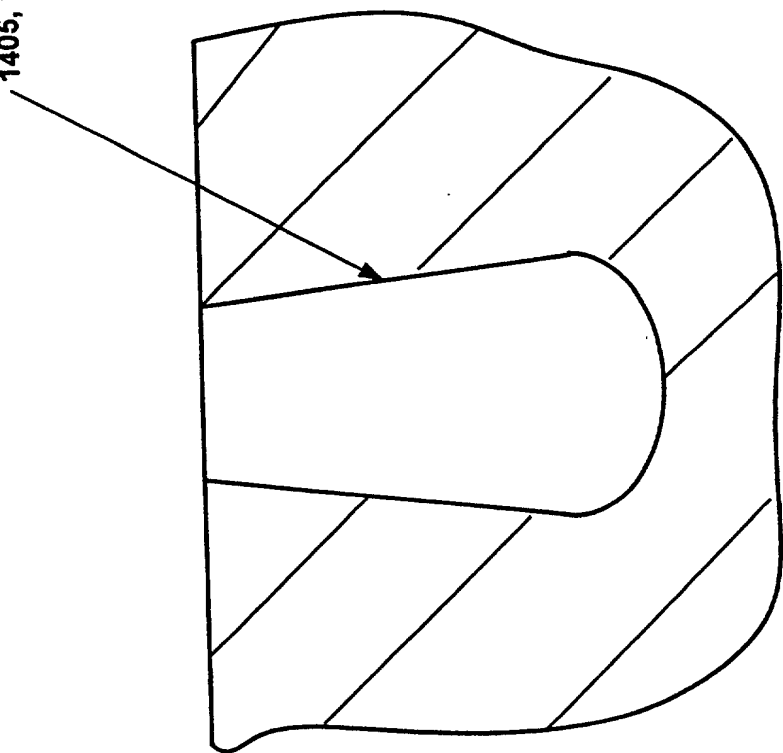


FIGURE 15

FIG. 50

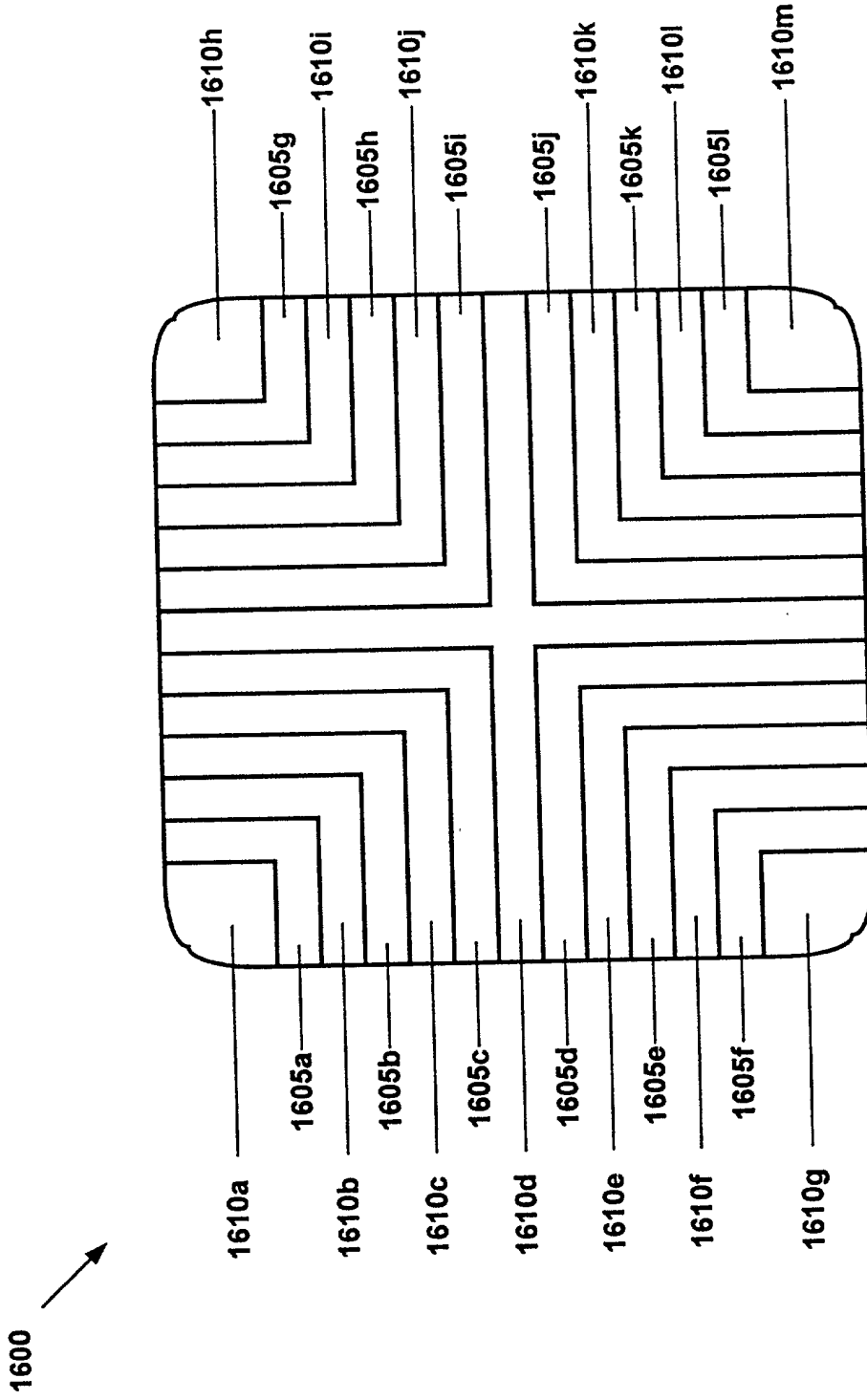


FIGURE 16

106250-9829860

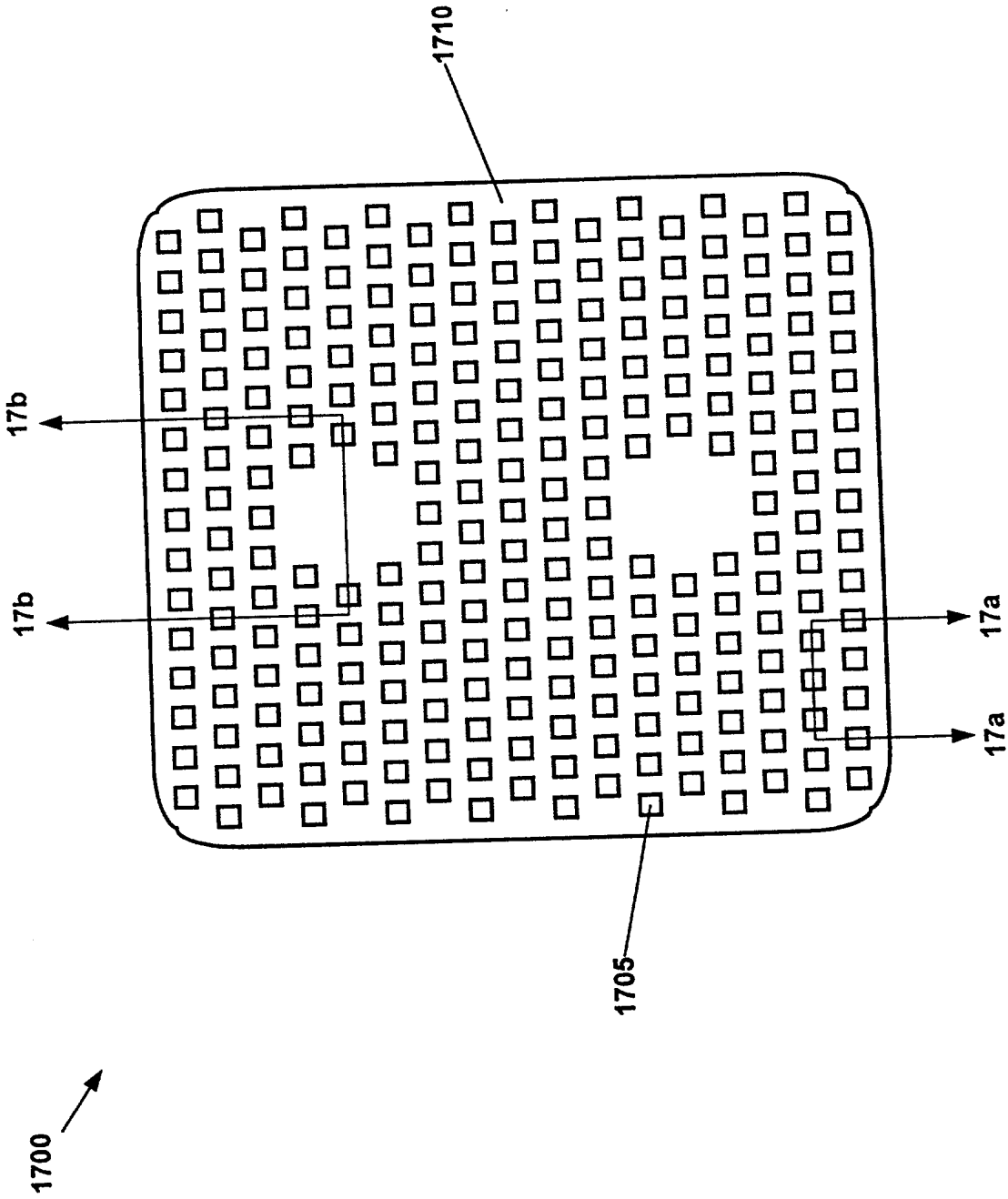


FIGURE 17

FIG. 17a

1700

1700

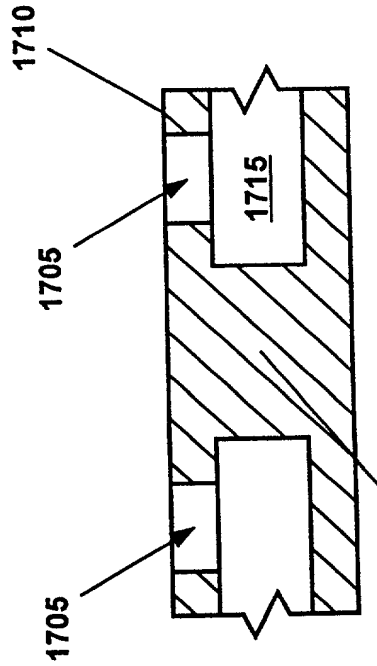


FIGURE 17b

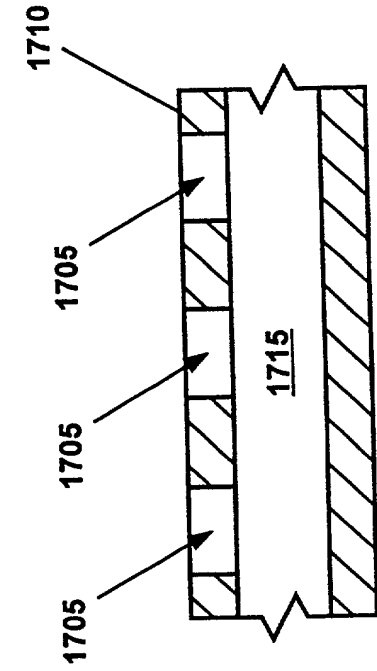


FIGURE 17a

FIG. 18

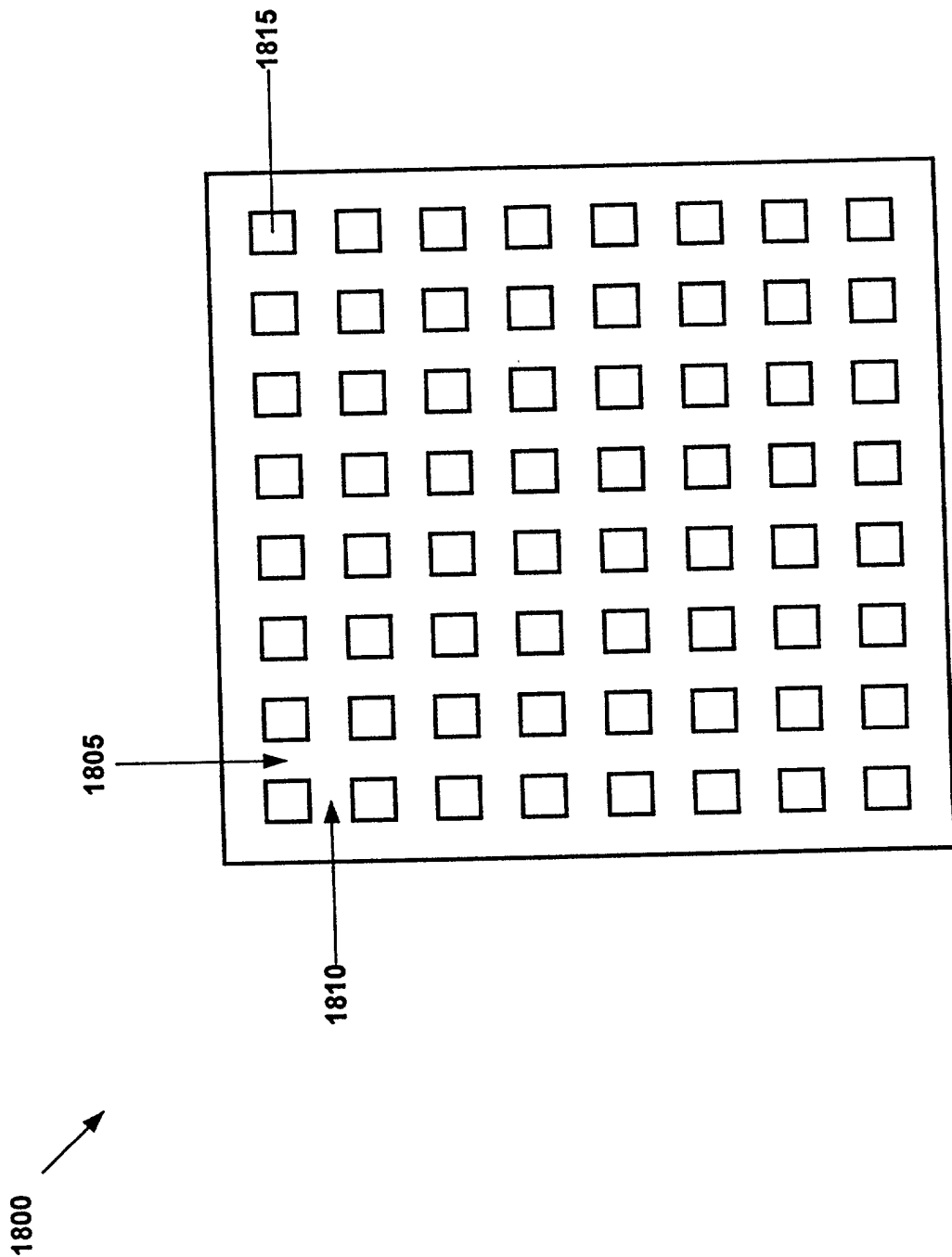
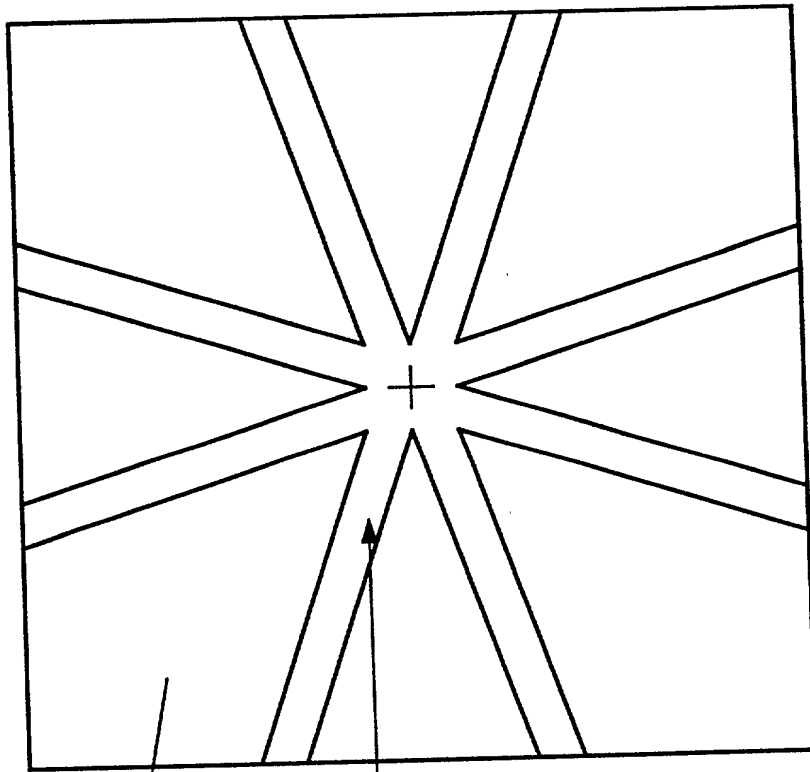


FIGURE 18

FIG. 50

1900



1910

1905

FIGURE 19



FIG. 20

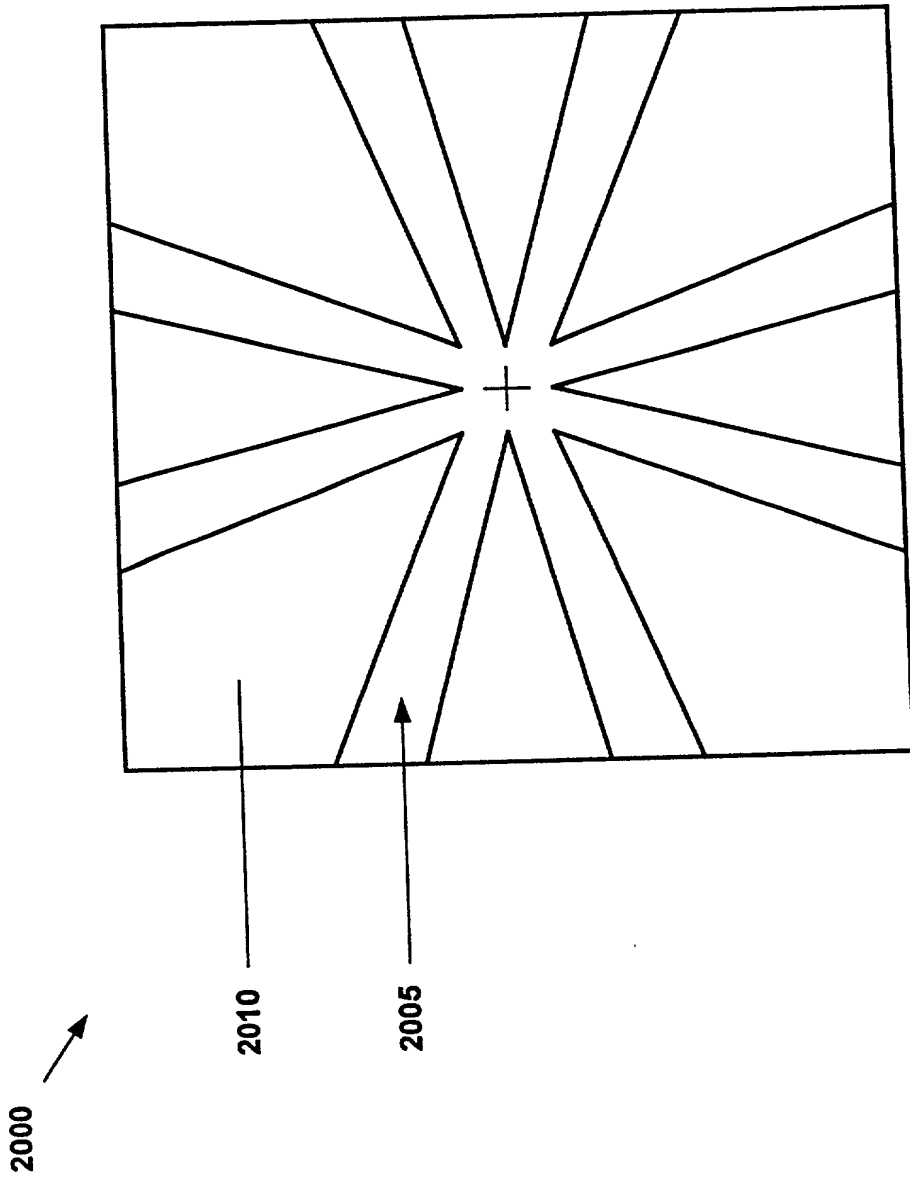


FIGURE 20

FIGURE 21a

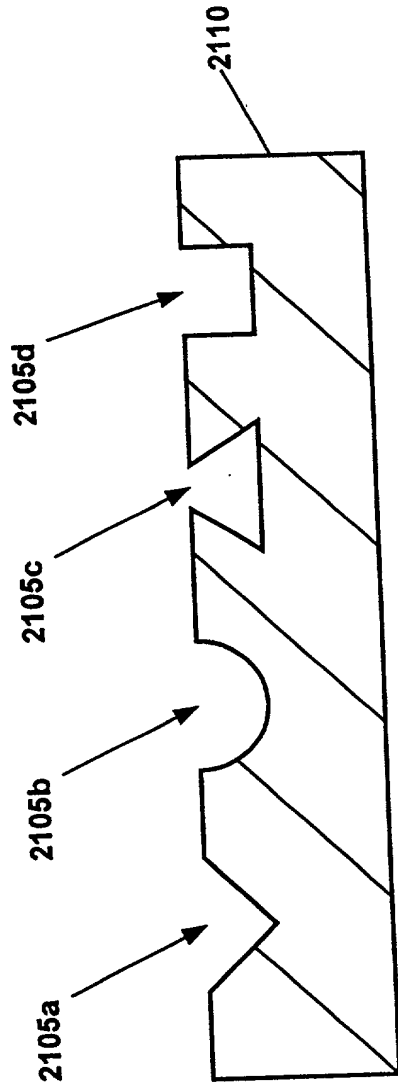


FIGURE 21a

FIG. 21a

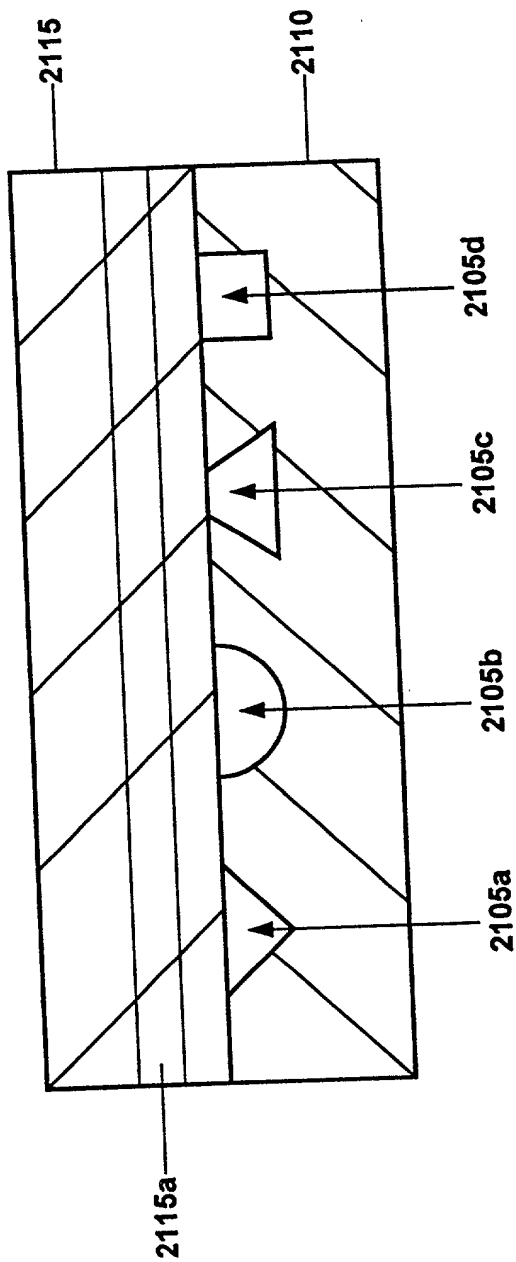


FIGURE 21b

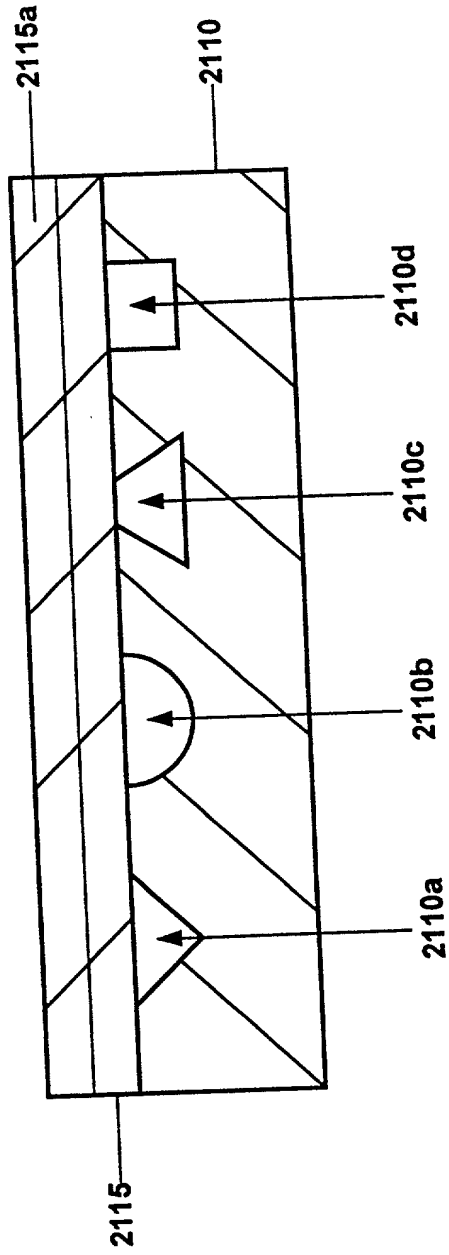


FIGURE 21c

FIGURE 21d

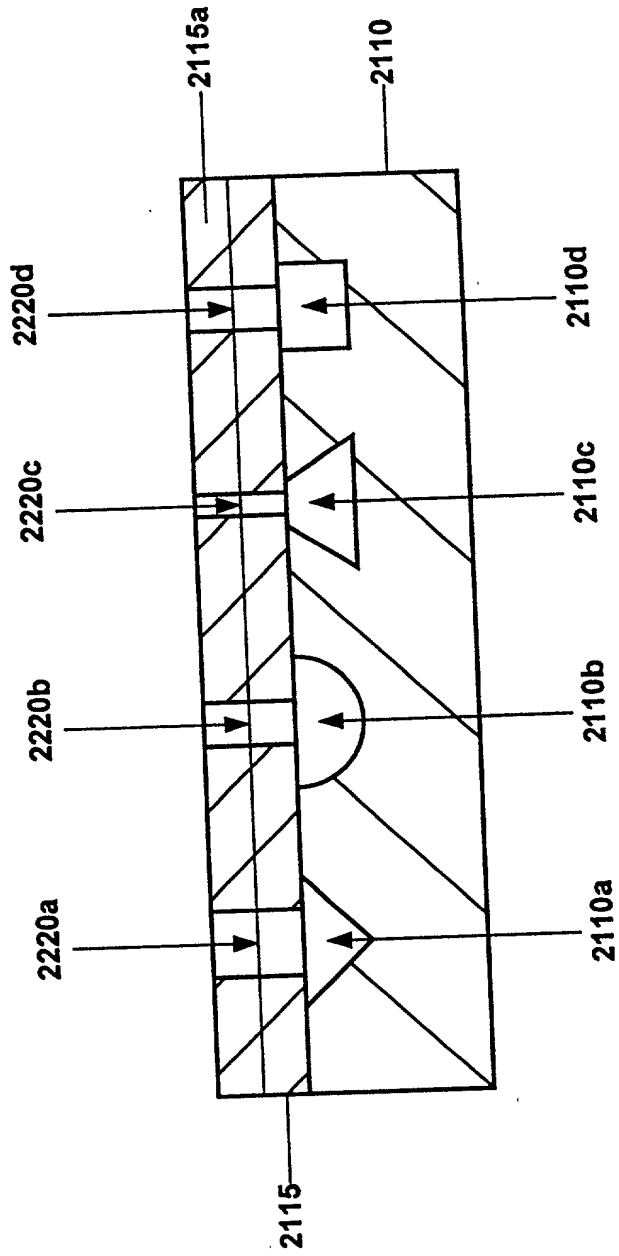


FIGURE 21d

Patent application of the inventor

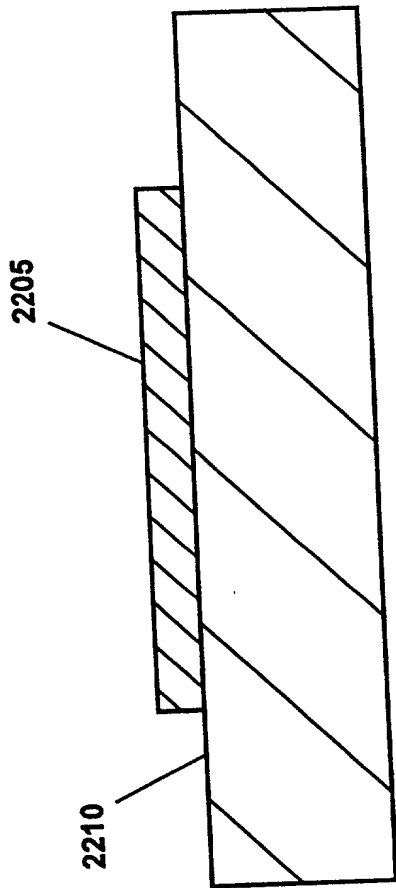


FIGURE 22a

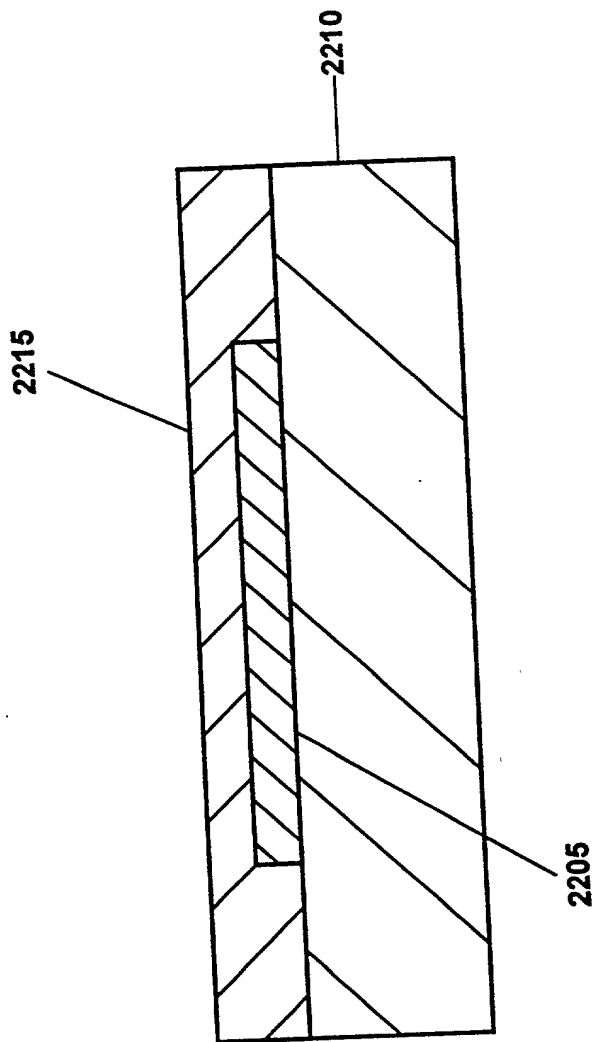


FIGURE 22b

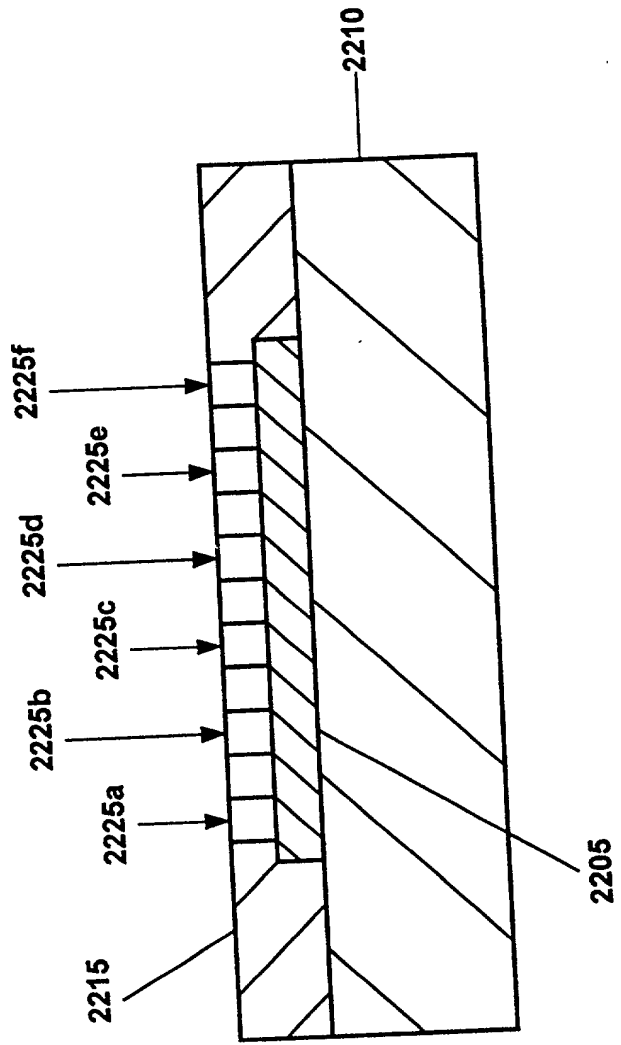


FIGURE 22c



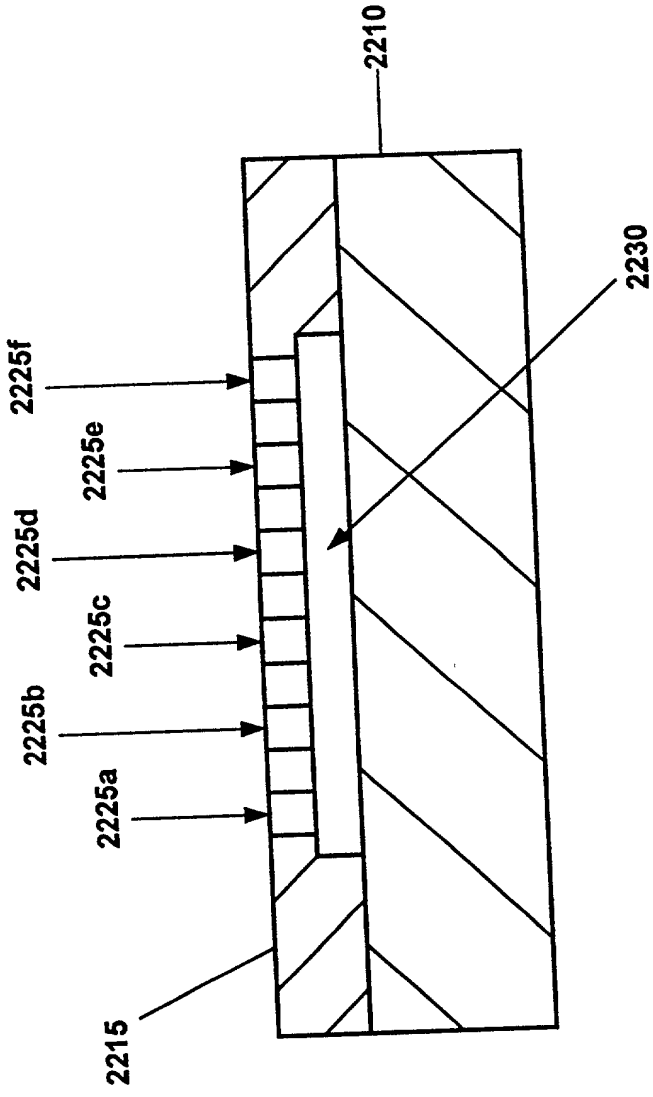


FIGURE 22d

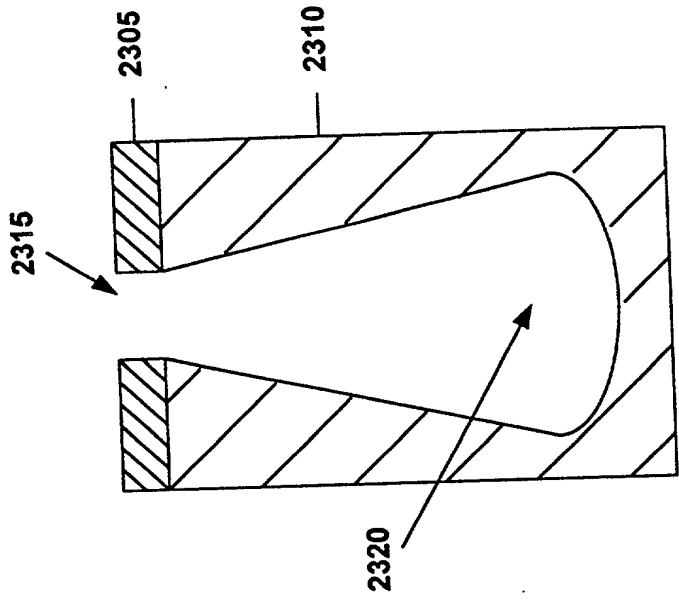


FIGURE 23b

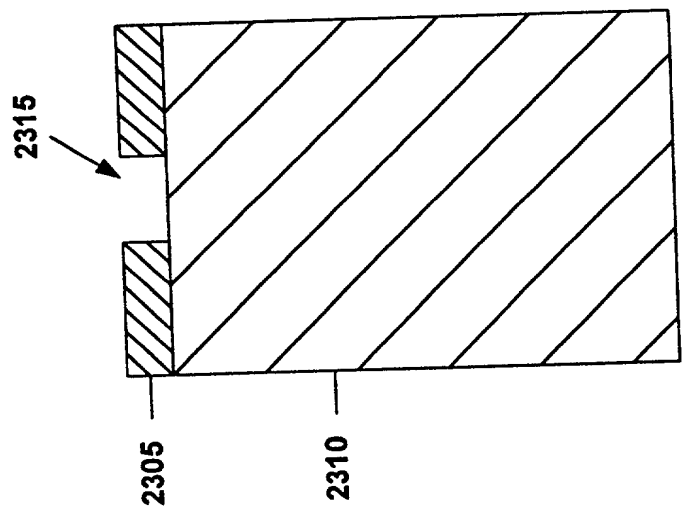


FIGURE 23a

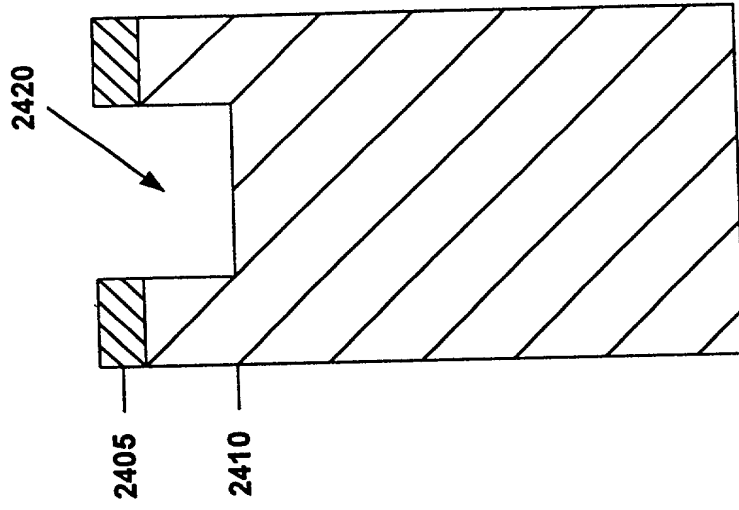


FIGURE 24b

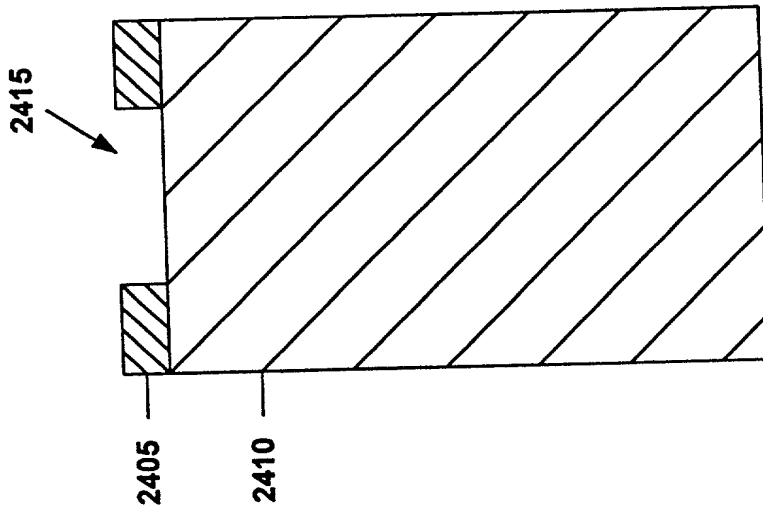


FIGURE 24a

FIGURE 24c

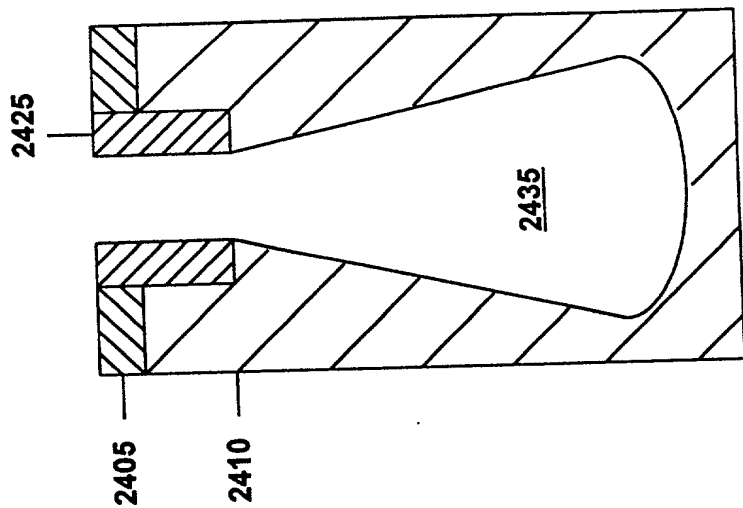


FIGURE 24d

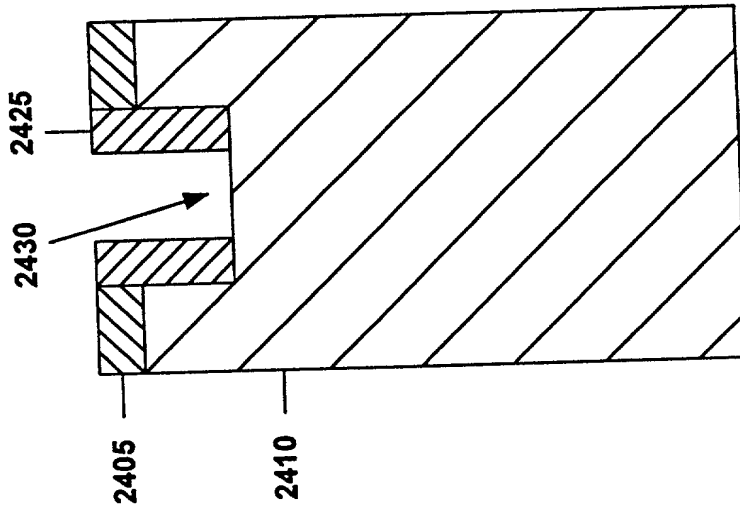


FIGURE 24c